

## Install in Central Battery System Series CBL & CBM

### OVERVIEW

The Sigtex Active Shooter Alert was developed in response to requests for an effective warning system that could be activated instantly from multiple locations, with low installation cost and high reliability.

The ASA solution answers both these requests by combining the alert function with existing emergency lighting, which requires only installation of a single WIFI activation switch, or if the customer desires, additional single pole manual activation switches at strategic locations. No additional alert sensors, wiring or lamps are required.

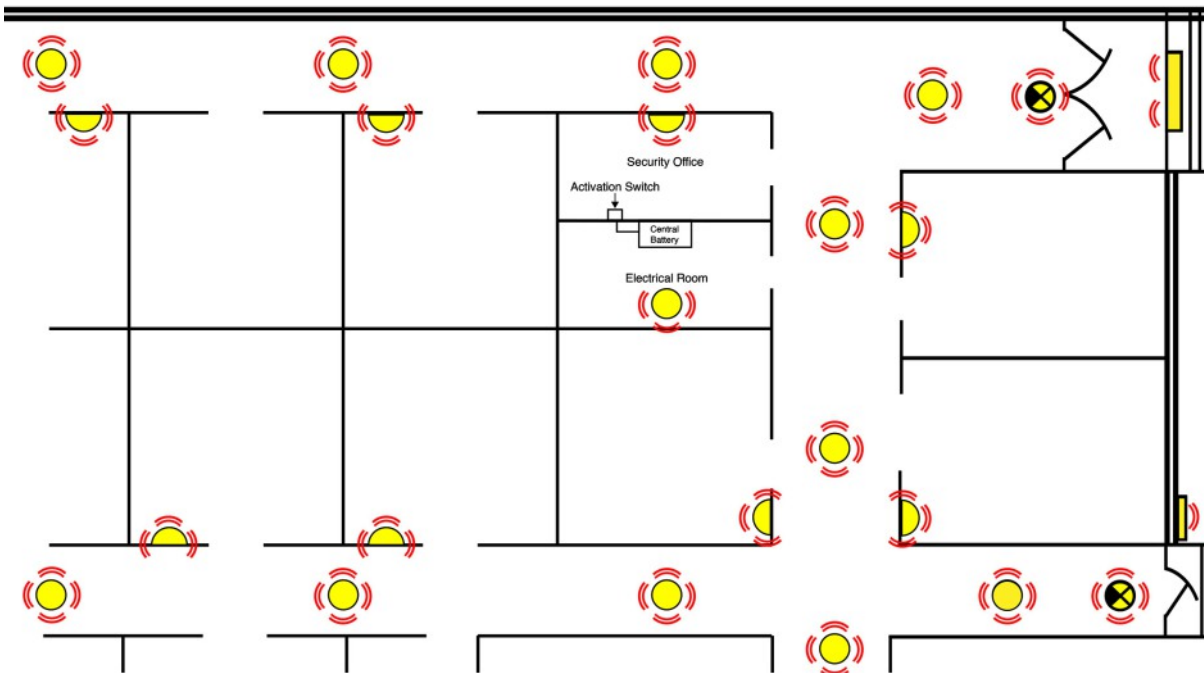
PROJECT:

TYPE:

CATALOG #:

### SPECIAL FEATURES

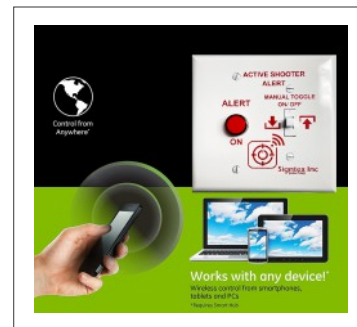
- Very high visibility from multiple lamp locations Flashing alert signal throughout the building dominates normal lighting
- No additional wiring for signal devices.
- Choice of single wide area WIFI activation, or multiple manual activation points.
- Can be combined with fire alarm alert systems.
- System functions even after a main utility power failure.



### CONSTRUCTION

The Active Shooter Alert (ASA) system is integrated with the Sigtex Central Battery panel, Series CBM or CBL. ASA is powered from normal AC service at 120/277 VAC, activating a flasher circuit connected to emergency branch circuit outputs. Pulses are modulated to a 1 second flash per second, and all emergency lighting devices including exit signs flash at full power continuously, until the system is switched off.

ASA is fully integrated with the existing wiring and dedicated emergency lighting fixtures in use, therefore no additional emergency wiring or fixtures are required.



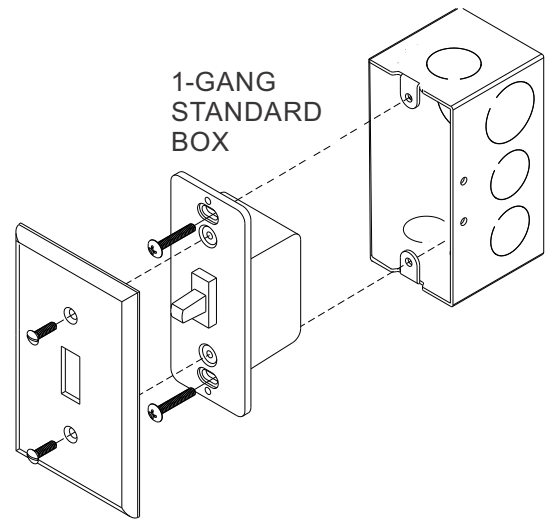
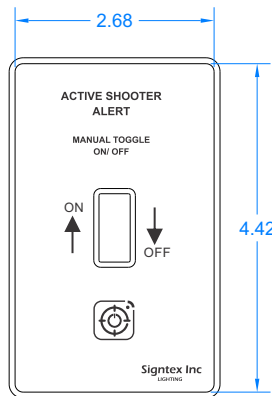
## Install in Central Battery System Series CBL & CBM

### ELECTRONICS

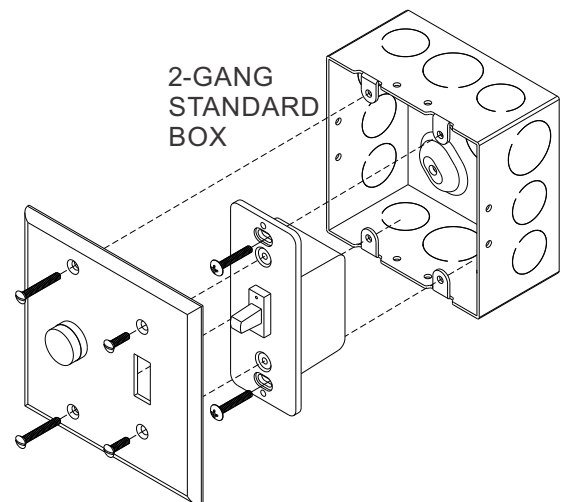
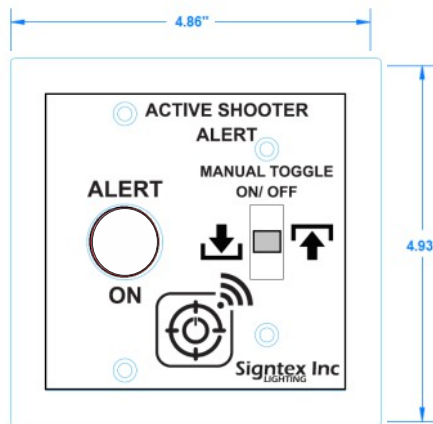
- Universal Input 120 or 277VAC.
- Internal DC Power Supply rated for continuous flashing.
- Flasher circuit includes high quality solid state relay and controls.
- Low power AC output signal for central battery emergency lights activation.
- Wi-Fi toggle style switch or standard single pole switch for manual activation.
- Compatible with Wi-Fi 802.11 b/g/n @ 2.4 GHZ.
  - Alexa and Google Voice assistant Compatible.
  - The built-in Wi-Fi connects to a compatible voice assistant for hands-free voice control.
- Neutral wire is required for Wi-Fi switch option.
- Can be combined with 12 or 24V fire alarm

### PANEL LAYOUT & DIMENSIONS:

#### Master Switch-Manual (MAN)



#### Master Switch-Wifi (WIF)



### ORDERING INFORMATION

**EXAMPLE: CBM500- ASA-MAN-COV**

MODEL	MASTER SWITCH	OPTIONS
ASA	MAN (Manual Activation) WIF (Wifi Activation)	- COV (Protective cover)

**DISTRIBUTOR:**