

PROJECT:
TYPE:
CATALOG #:

RECESSED ARCHITECTURAL EMERGENCY LIGHT | CEILING MOUNT

ELR architectural recessed mount LED light is the perfect addition to your lighting needs. Unique design that comes with 2 different lens type: Narrow Lens and Wide Lens. Makes it the perfect emergency light for any types of corridors or open spaces.

The ELR is UL 924, NEC, OSHA and NFPA 101 Life Safety Code approved. Features a 20-gauge steel back box with junction box and polycarbonate trim plate, makes it a convenient and inconspicuous unit. It is designed to work with drop ceiling applications (battery is accessible from top of unit only).

FEATURES

- Listed for damp location.
- Ultra bright white LEDs CCT 5000k.
- For use in Drop Ceiling Applications.
- LED indicator light with push-to-test switch.
- Equipped with 2 types of lenses for different types of illumination needs; wide and narrow lenses.
- 20-gauge steel back box with junction box.
- Injection-molded, engineering grade, high-impact resistant, thermoplastic Trim plate in white finish.
- Friendly configuration design for quick and easy installation.
- Fully automatic solid-state charger initiates battery charging to recharge a discharged battery in 24 hours.
- Internal solid-state transfer switch automatically connects the internal battery to LED lamp for minimum 90-minute emergency illumination.

ELECTRONICS

- Self-Test/Self-Diagnostic operation is standard.
- Universal voltage input 120-277 VAC 50/60Hz operation.
- High efficiency charger and maintenance-free 6.2V 3200mAh LiFePO4 battery.
- Over 50,000 hour lamp life in normal use
- Standard Operating Temperature 10°C to 50°C

PATHLITE
Series ELR
 REV #: ELR.12.25.01



CODES

- Manufactured and tested to UL Standard 924, osha AND NFPA Life Safety Code101,

WARRANTY

- 5 year total customer satisfaction warranty. For details see Signtex product catalog technical data section.

FIXTURE ORDERING INFORMATION EXAMPLE: ELRBBWDG

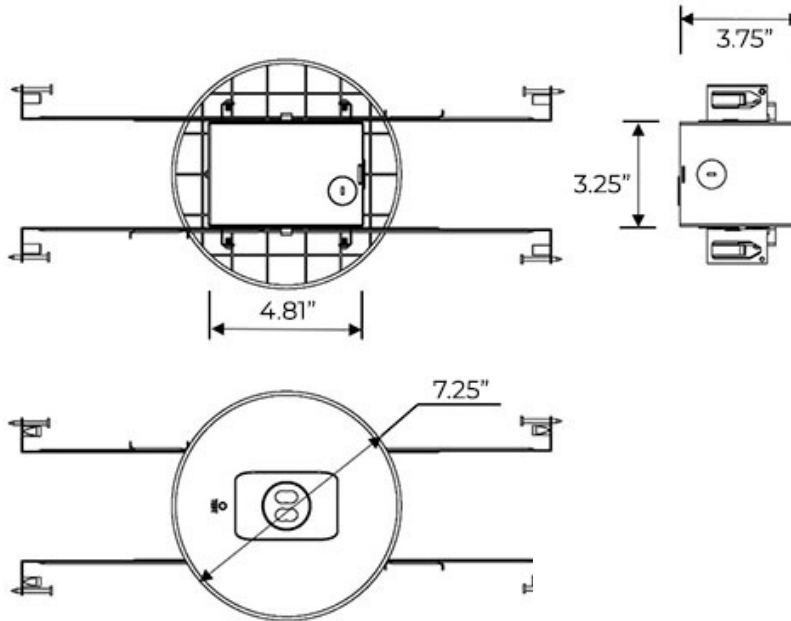
ELR	BB	W	DG
SERIES	OPERATION	HOUSING COLOR	OPERATION TYPE
ELR	BB Battery Unit	W Satin White	DG Self-Diagnostic



SUGGESTED SPECIFICATIONS:

Install PATHLITE Series ELR architectural emergency lighting fixture. The assembly is listed for installation in damp locations in compliance with UL 924 standards. Upon loss of AC building power, lighting will be activated for a minimum of 90 minutes under battery power, in compliance with UL 924 and NFPA Code 101. The unit is continuously monitors the AC power, battery supply voltage, emergency lamp and charging circuit. The multi-color LED indicator light will indicate failure and adjust when it has been corrected. Unit will automatically perform NFPA required monthly and annual testing. Refer to user manual for details

MOUNTING DATA & DIMENSIONS:

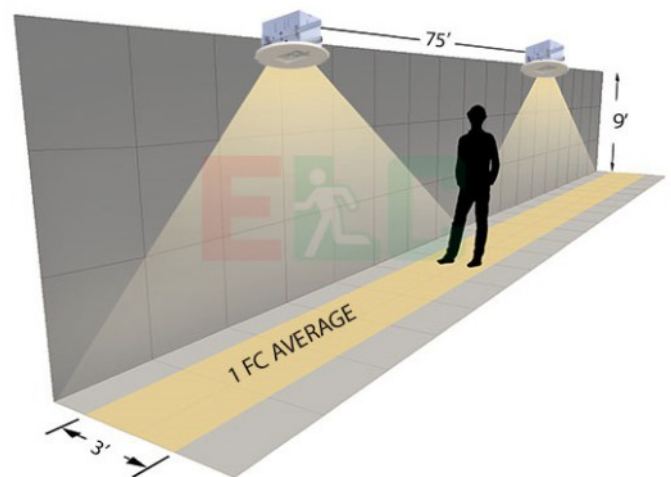


PHOTOMETRICS:

- Suggested mounting height of 9ft illuminates 1 footcandle (FC) spaced at 75ft for a 3ft path of egress.
- Mounting height of 10ft illuminates 1 footcandle (FC) spaced at 80ft for a 3ft path of egress.
- Mounting height of 12ft illuminates 1 footcandle (FC) spaced at 78ft for a 3ft path of egress.

Disclosure:

Spacing is measured in lab condition with an assumed open space, no obstruction and reflection rates of 80 (ceiling) / 50 (walls) / 20 (floor). Actual spacing may vary depending on what environment the fixture is installed in.



DISTRIBUTOR

Contact Signtex for layout assistance.
Code compliant emergency lighting layouts provided!
Specifications and dimensions subject to change without notice.