

# LED Outdoor Polycarbonate/ Die-Cast Remote Head

PROJECT:
TYPE:
CATALOG #:

## FEATURES

- Long lasting, efficient, ultra bright white LED lamp heads.
- 1.0 watt (8 LEDs x 0.125 watt) per head.
- High performance chrome-plated metalized reflector and plastic lens for optimal light distribution.
- Adjustable LED lamp heads provide optimal center-to-center spacing.
- Optional high lumen heads are 1.5 watts (12 LEDs x 0.125 watt per head) and provide increased center-to-center spacing.
- Powered from low voltage power source with low voltage wiring (not provided).

## MOUNTING

- Universal mounting adapter plate included. Mounts to single-gang switch box.
- Distance of maximum run is determined by system voltage, wire gauge and total maximum wattage on the run.
- Suitable for wall or ceiling mount.
- Available in both engineering grade, high-impact resistant polycarbonate or premium grade die-cast aluminum housing.
- Sealed and gasketed in standard gray or black finish.

## FIXTURE COMPATIBILITY TABLE

Refer to individual specification sheets to confirm remote load capacity

EBU & EXIT MODELS			
CAD	CAL	CAR	CWL
DXR	RMR	CEM	IND
HLE	HLC		
CENTRAL BATTERY MODELS			
CBM	CBL	CBE	

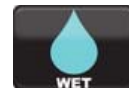
## CODES

- UL Listed for wet locations (-30°C – 50°C).
- Meets UL924, NFPA 101 Life Safety Code, NEC, OSHA, Local and State Codes.

## WARRANTY

- 5 year total customer satisfaction warranty.  
For details see Signtex product catalog technical data section.

**PATHLITE**  
**Series RHW**  
REV #: RHW.06.26.05

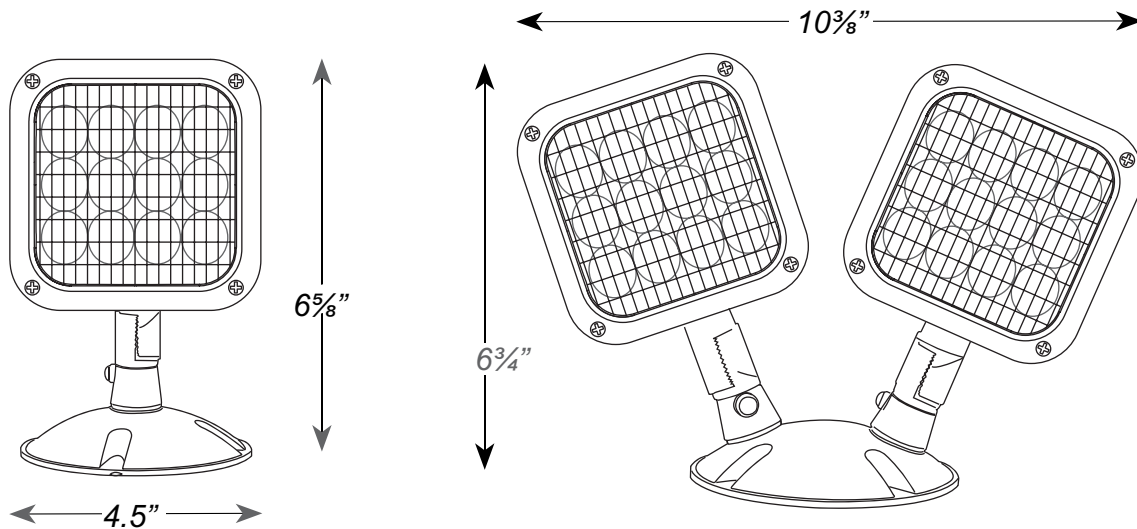


## FIXTURE ORDERING INFORMATION EXAMPLE: RHW-RB-2WPB-HL

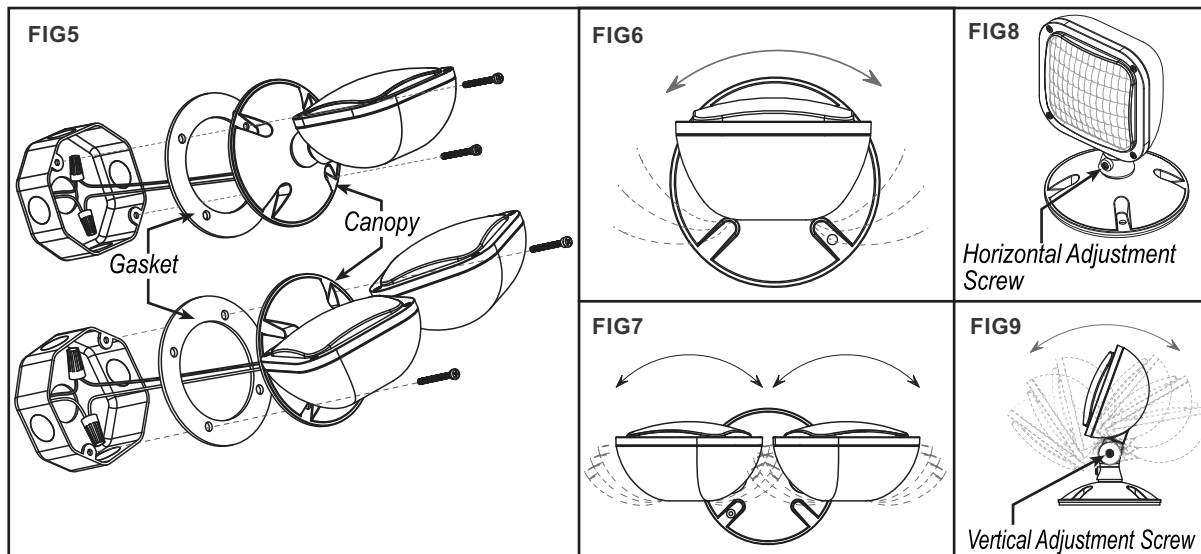
RHW - RB - 2 WP B - HL

SERIES	OPERATION	LAMP HEADS	HOUSING	COLOR	OPTIONS
RHW	<b>RB</b> Powered from EBU or EXIT Combo <b>RE</b> Powered from Central Battery System	1 Single Head 2 Double Head	<b>WP</b> Die-Cast <b>PWP</b> Thermoplastic	<b>(Blank)</b> Gray <b>B</b> Black	<b>(Blank)</b> 1W per head <b>HL</b> 1.5W per head

**DIMENSIONS**



Heads can be rotated sideways (FIG. 6 & 7) by loosening the horizontal adjustment screw (FIG. 8) or tilted up/down by loosening the vertical adjustment screw (FIG. 9).



**DISTRIBUTOR**

Contact Sigtex for layout assistance.  
 Code compliant emergency lighting layouts provided!  
 Specifications and dimensions subject to change without notice.