

# Crystal Surface Mount LED Edge-lit Exit Signs

The Crystal Surface Mount Edge Lit Exit Sign is field adjustable for wall or ceiling mount. The edge-lit panel is constructed of high-grade acrylic with custom graphics and directional arrows to point towards the exit direction. Ultra high output LEDs produce brilliant graphic illumination well above code minimums.

## FEATURES

- Extruded aluminum LED lamp housing mounts to a form-fitting canopy in solid aluminum that contains a "cam lock" device, which is field adjustable for wall or ceiling mount.
- Standard finishes: Satin white enamel and brushed aluminum. Optional finishes: Painted colors in any custom shade, or anodized finishes in satin bronze, polished gold, mirror silver & many others.
- Diamond polished acrylic lenses for optimum light transmission, exterior quality and high brightness.
- Ultra high output LEDs with up to 5 candela output in green or red produce brilliant graphic illumination well above code minimums.
- An advanced microprocessor monitors all charger functions and battery condition continuously, with software to automatically perform all tests and visual indications required by UL Standard 924 and NFPA 101

## ELECTRONICS

- Self-Test/Self-Diagnostic operation standard in battery backup versions.
- Low Voltage Disconnect prevents deep battery discharge
- Universal 120/ 277 VAC input for standard battery or AC unit, or 24 VDC input for remote configuration.
- Remote Model RE may be connected to one of the following:
  - Series CBS UNIVERSAL CENTRAL BATTERY SYSTEM
  - Series MTL MASTER-REMOTE SYSTEM
- Power supply is surge and spike protected.
- The complete power supply module with optional NICAD battery pack is sealed within a plastic enclosure. AC and DC wiring is quickly attached with plug connectors.
- Standard Operating Temperature: 0°C to 50°C



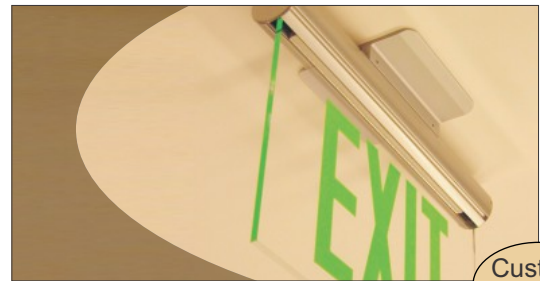
PROJECT:

TYPE:

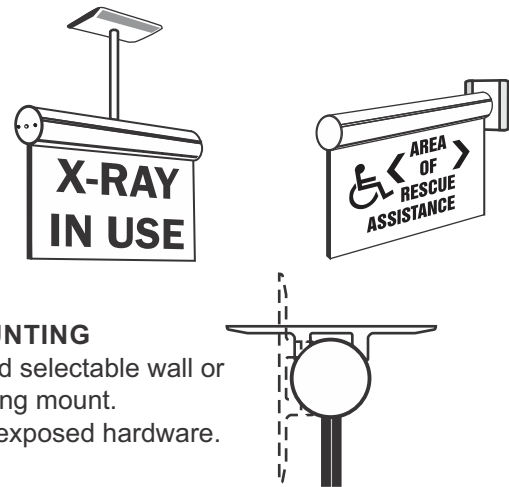
CATALOG #:

U.S. Patent 5, 276, 591

**CRYSTAL**™  
**Series CRS**  
REV #: CRS.06.26.23



Custom Graphics



## MOUNTING

- Field selectable wall or ceiling mount.
- No exposed hardware.

## CODES

- Manufactured and tested to UL Standard 924, NFPA Life Safety Code 101, and certified to Ip66.

## WARRANTY

- 5 year total customer satisfaction warranty.
- For details see Signtex product catalog technical data section.

## ORDERING INFORMATION EXAMPLE: CRSBB-1RCBA-NA-TW-DG

MODEL SERIES	OPERATION	NO. of FACES	LETTER COLOR	BACKGRD COLOR	STANDARD TRIM FINISH	ARROW DIRECTION	MOUNT	OPTIONS
CRS	<b>BB</b> Battery Backup <b>NB</b> No Battery(AC Only) <b>REC</b> Remote w/ Central Battery System <b>REP</b> Remote DC Power From Power Supply or POE system	<b>1</b> Single <b>2</b> Double	<b>R</b> Red <b>G</b> Green	<b>C</b> Clear <b>M</b> Mirror <b>W</b> White <b>K</b> Black <b>X</b> Custom	<b>W</b> White <b>K</b> Black <b>A</b> Alum <b>B</b> Satin Bronze <b>X</b> Custom	<b>NA</b> No Arrow <b>AB</b> Arrow Both < > <b>AR</b> Arrow Right > (SF)* <b>AL</b> Arrow Left < (SF) <b>LR</b> Single Arrow > (DF) <b>CX</b> Custom Graphics	<b>TW</b> Universal (Top or wall)	SEE PAGE 2.

### SUGGESTED SPECIFICATIONS:

Install Sigtex CRYSTAL Series CRS recessed LED exit signs, available as unit equipment or as a remote device connected to a central battery power source. The lamp housing and canopy shall be of extruded aluminum, graphic lenses shall be optical grade acrylic with diamond polished edges. Lighting uniformity shall be better than 4:1 when measured over any illuminated area and average brightness will exceed 6 ft Lambert (21 Cd/m<sup>2</sup>). Life expectancy of the LEDs shall be in excess of 20 years. The power supply and charger shall be an isolated digital type with regulated current and voltage output to the lamp load and batteries (emergency models). AC supply shall be universal 120/277 VAC input via two-wire feed. One standard power supply shall be capable of driving up to 5 single face remote signs in addition to the master, with emergency operation at least 90 minutes for each sign. Battery charge time to restore full capacity after discharge shall be less than 24 hours.

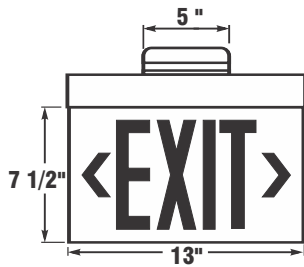
### OPTIONS: CODE

Auto Battery Diagnostics -----	DG
Damp Location -----	DP
Dual AC Input (120 VAC) -----	DAC120
Dual AC Input (277 VAC) -----	DAC277
2 Hour Emergency Operation -----	2EM
End Mount (Left/ Right) -----	LE/RE
Pendant Mount 12" -----	PEN
Pendant Mt (Custom Length) -----	PENX
Mullion Mount -----	MM
Inverted Graphics -----	INV
48VDC input (REP Models) -----	48
60VDC input (REP Models) -----	60

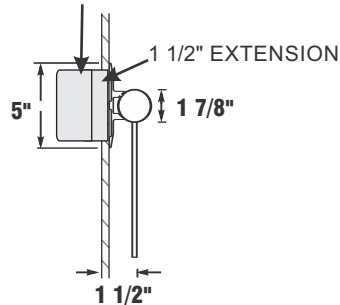
**NOTE: PRE-INSTALL 4" X 4" X 2 1/8" DEEP J-BOX WITH 1 1/2" EXTENSION RING FOR BB & NB MODELS**

### MOUNTING DATA & DIMENSIONS:

#### WALL MOUNT

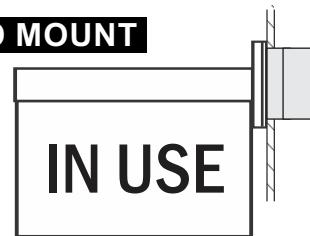


STANDARD DEEP  
4 X 4 X 2 1/8" J-BOX

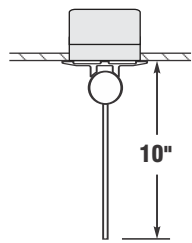
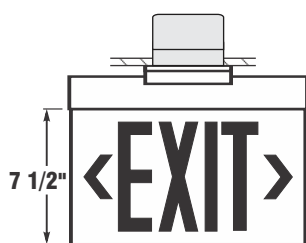


**NOTE: STANDARD 4-O J-BOX  
3 1/2" x 3 1/2" x 1 1/2" USED  
WITH REMOTE MODELS  
(CBS & MASTER-REMOTE)**

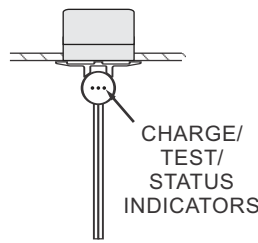
#### END MOUNT



#### TOP MOUNT

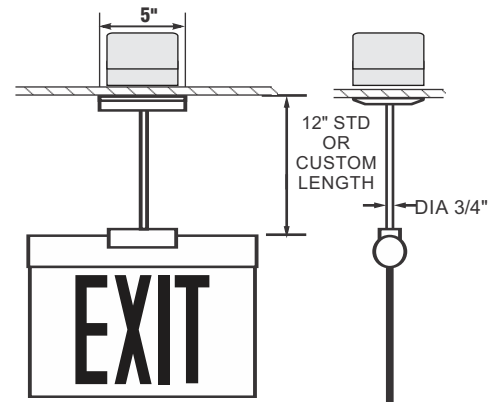


SINGLE FACE



DOUBLE FACE

#### PENDANT MOUNT



### BATTERY DIAGNOSTIC FUNCTIONS:

Microprocessor programmed to perform tests as follows:

Continuous Monitoring w/ 1 Second Sampling	Every 28 Days	Every 12 Months
Lamp Connections	Transfer switch function	Full 90 minute emergency operation test with test/ fail and manual report signal
Battery Connections	Battery discharge rate under full load	
	Test switch indicator function	

### SELF-TEST DIAGNOSTIC FUNCTIONS

STATUS	LED DISPLAY
NORMAL MODE	OFF
FAILED LAMP	GREEN
FAILED CHARGER	RED
FAILED TRANSFER	ORANGE
FAILED BATTERY	RED FLASH
FAILED ANNUAL TEST	ORANGE FLASH

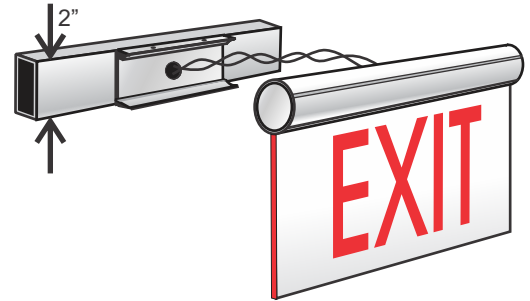
### LOAD SPECIFICATIONS FOR CENTRAL BATTERY SYSTEM

FIXTURE	EPR (Watts)
CRS1RE	2
CRS2RE	4

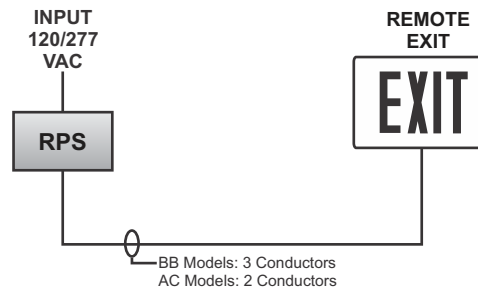
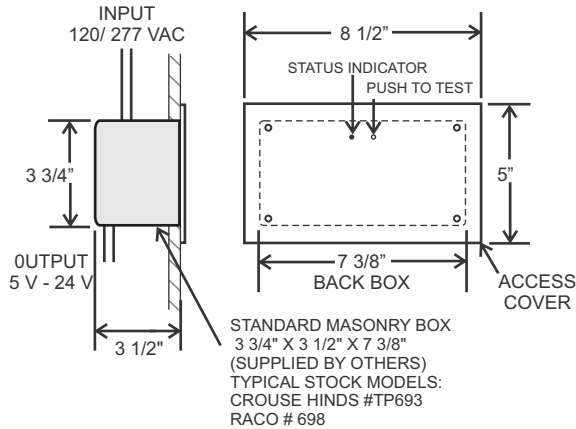
EPR= Emergency Power Rating for Battery

### MULLION MOUNT - Option: MM

**Application:** Designed to mount directly to a 2" mullion with a remote power supply (RPS). The RPS can be mounted in any accessible wall or ceiling location. A removable cover allows easy access to the electronics for servicing. Available with battery backup **BB** or **AC** supply only. The **REC** and **REP** models do not require a remote power supply.



### MOUNTING DATA & DIMENSIONS:



### INVERTED SURFACE MOUNT - Option: INV

**Application:** Inverted exit legend & canopy mount provide a perfect solution to difficult mounting situations.



*Inverted Surface Mount*

### ARROW CONFIGURATION

#### SINGLE FACE

NA (No Arrow)	<b>EXIT</b>
AB (Arrow Both)	<b>&lt;EXIT&gt;</b>
AR (Arrow Right)	<b>EXIT&gt;</b>
AL (Arrow Left)	<b>&lt;EXIT</b>

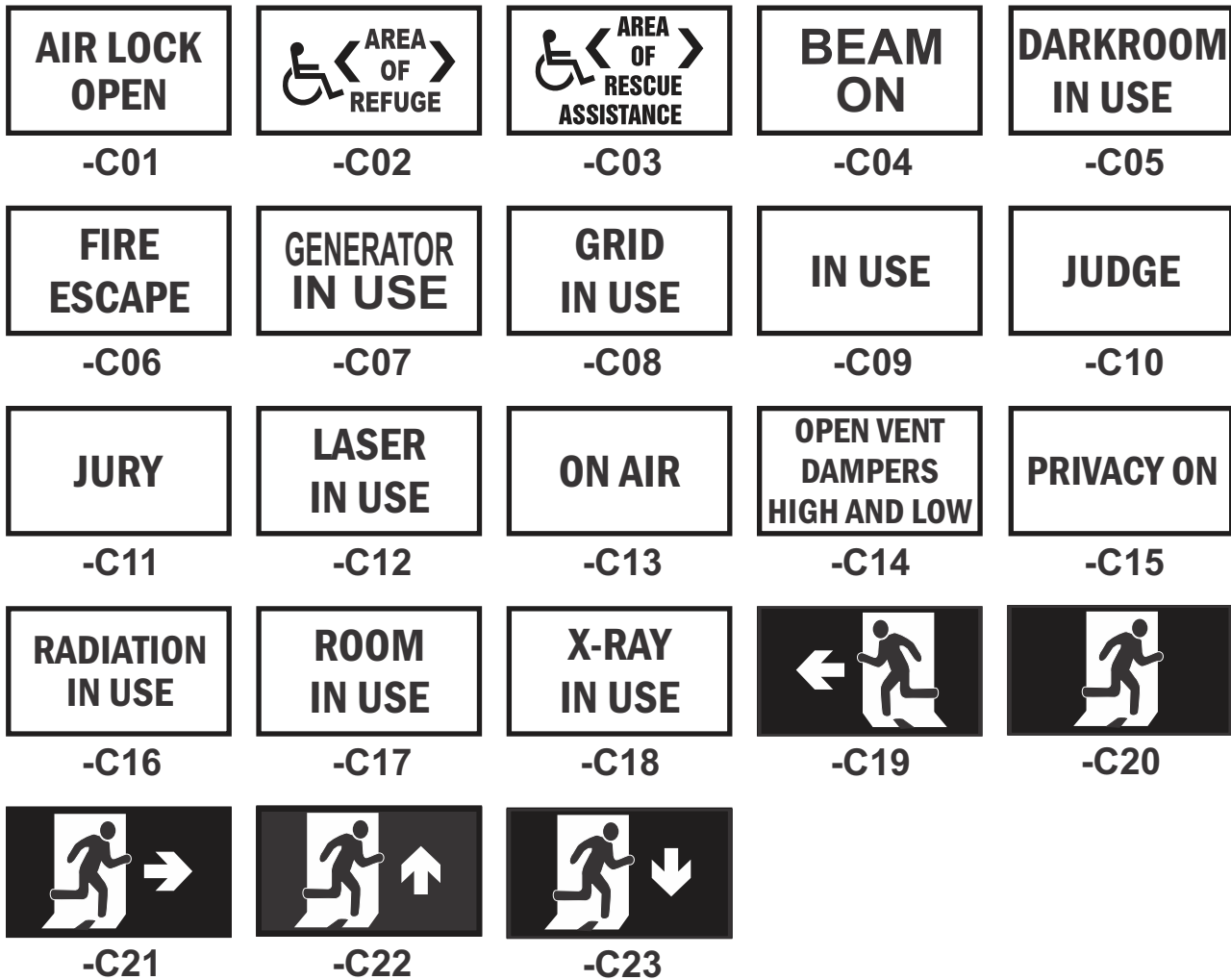
#### DOUBLE FACE

NA (No Arrow)	<b>EXIT</b>	<b>EXIT</b>
AB (Arrow Both)	<b>&lt;EXIT&gt;</b>	<b>&lt;EXIT&gt;</b>
LR (Single Arrow)	<b>&lt;EXIT</b>	<b>EXIT&gt;</b>

**CUSTOM GRAPHICS**

The following is a partial list of the more common Custom Graphics that can be supplied on CRYSTAL Edge Lit Series CRS & Series CRR at current date. Specify color of illumination and background when placing order.

Custom lens sizes are available with the CRYSTAL Edge lit Series. Any graphic or legend can be produced: just email or fax a sample drawing. Set up charges are required for custom graphics not in stock. Contact factory for up to date list of stock graphics.



Contact Signtex for layout assistance.  
Code compliant emergency lighting layouts provided!

**DISTRIBUTOR**