

Ultra Slim Die-Cast Aluminum LED Signs with Custom Graphics

PROJECT:
TYPE:
CATALOG #:

CONSTRUCTION

- Ultra Slim diecast aluminum LED emergency exit lighting system; the wall mount profile is 1/2" above the surface.
- The diecast outer housing contains a closely fitted acrylic lens. An LED array is recessed into the housing. The assembly is extremely rugged and can withstand severe impact and vibration without damage.
- For even further protection, clear polycarbonate security covers are available.

ELECTRONICS

- Universal 120/ 277 VAC input for standard battery or AC unit, or 24 VDC input for remote configuration.
- Remotes may be connected to one of the following:
 - Series CBS UNIVERSAL CENTRAL BATTERY SYSTEM
 - Series MTL MASTER-REMOTE SYSTEM
- Power supply is surge and spike protected, with a low voltage disconnect.
- The complete power supply module with optional NICAD battery pack is sealed within a phenolic plastic enclosure, which fits inside a standard 4" square deep J- box. AC and DC wiring is quickly attached with plug connectors.

Rapier Open Face Series RPRO

REV #: RPRO.04.26.14



DIAGNOSTICS OPTION

- An advanced microprocessor monitors all charger functions and battery condition continuously and automatically performs all tests and visual indications required by UL Standard 924 and NFPA 101.

CODES

- Manufactured and tested to UL Standard 924. Conforms to NFPA Life Safety Code 101, UBC and NEC.

WARRANTY

- 5 year total customer satisfaction warranty. For details see product catalog technical data section.



ORDERING INFORMATION: EXAMPLE: RPRO NB 1 R W W-TW-DP-"X-RAY IN USE"

SERIES	OPERATION	NO. OF FACES	GRAPHICS COLOR	BACKGROUND COLOR	STANDARD TRIM FINISH	MOUNT	OPTIONS	GRAPHIC
RPRO	NB = Battery Backup NB = No Battery (Ac Only) REC = Remote w/ Central Battery System REM = Remote w/ Master Remote System	1 = Single	R = Red G = Green	W = White B = Black FOR CUSTOM COLORS CONTACT FACTORY	W = White B = Black BZ = Bronze BA = Brushed Aluminum FOR CUSTOM COLORS CONTACT FACTORY	LE = Left End RE = Right End TW = Universal Top or Wall TV = Top Vertical WV = Wall Vertical	DG = Self-Diagnostic (BB Operation) DP = Damp Location PEN = Pendant MT 12" REC = Recess Kit WG = Wire Guard DAC = Dual AC Circuit DW = Directional Window Width 8 1/2"	"GRAPHIC" See Page.3

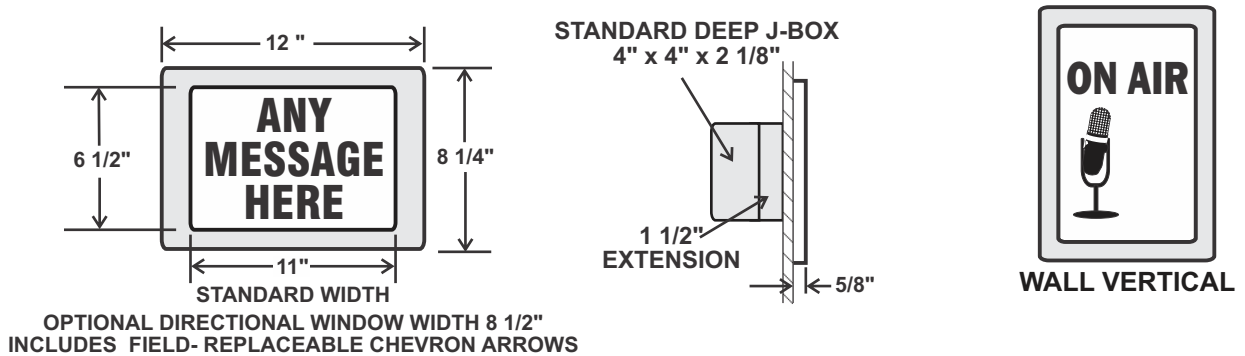
SUGGESTED SPECIFICATIONS:

Supply and install Sigtex RAPIER Series RPRO Open Face LED exit signs. The face and housing shall be of diecast aluminum with maximum thickness of 5/8" (single face). Lighting uniformity shall be better than 4:1 when measured over any illuminated area and average brightness will exceed 6 ft Lambert (21 Cd/m²). Life expectancy of the LEDs shall be in excess of 20 years. The power supply and charger shall be an isolated digital type with regulated current and voltage output to the lamp load. AC supply shall be universal 120/277 VAC input via two-wire feed. One standard power supply shall be capable of driving up to 5 single face remote signs in addition to the master.

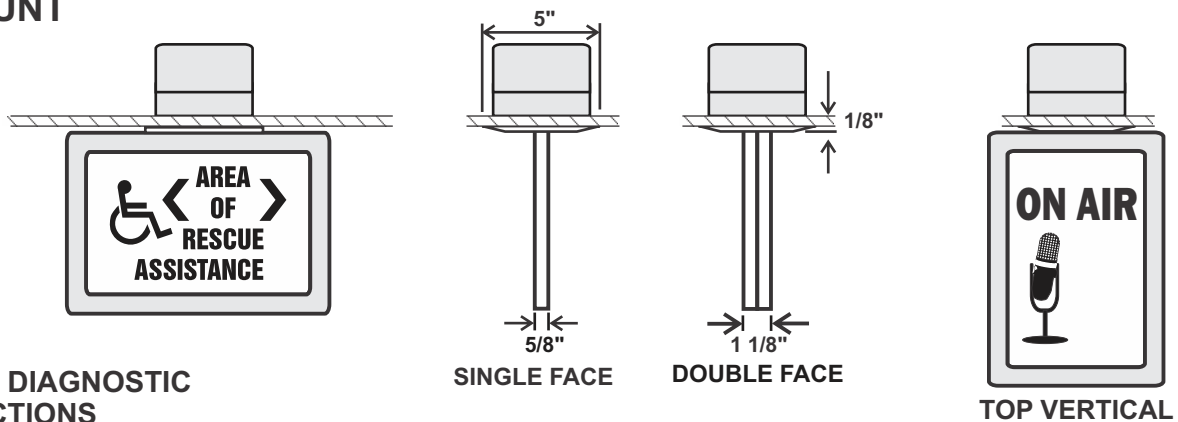
NOTE: PRE-INSTALL 4" X 4" X 2 1/8" DEEP J-BOX WITH 1 1/2" EXTENSION RING FOR BB & NB MODELS

MOUNTING DATA & DIMENSIONS:

WALL MOUNT



TOP MOUNT



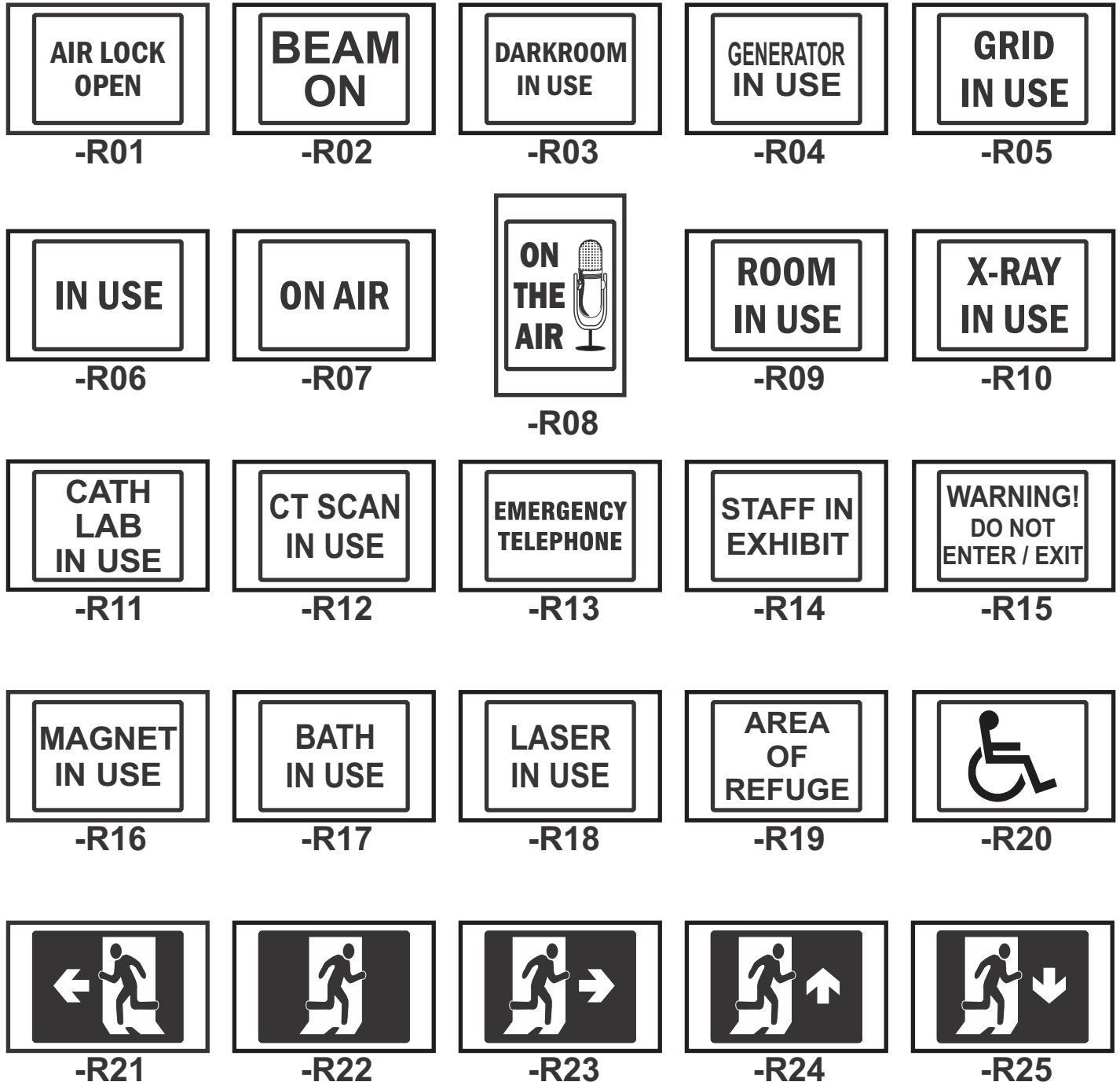
SELF-TEST DIAGNOSTIC FUNCTIONS

STATUS	LED DISPLAY
NORMAL MODE	OFF
FAILED LAMP	GREEN
FAILED CHARGER	RED
FAILED TRANSFER	ORANGE
FAILED BATTERY	RED FLASH
FAILED ANNUAL TEST	ORANGE FLASH

DISTRIBUTOR

Contact Sigtex for layout assistance.
Code compliant emergency lighting layouts provided!
Specifications and dimensions subject to change without notice.

The following is a partial list of the more common Custom Graphics that can be supplied on Rapier Diecast Open Face Series RPRO at current date. Specify color of illumination and background when placing order.



The face area for graphics can be increased from the standard shown above.
Contact factory for special applications.