

Full Cut-Off Wall Pack Sensor Ready

FEATURES

- Emergency lighting with adjustable Emergency Lighting Control (ELC), powered from a Signtex low-voltage central battery system.
- Available with factory-installed UL Listed Emergency Lighting Control (ELC), for connection to a Signtex central battery, DC emergency power system.
- Polycarbonate lens.
- Field selectable 3000K (warm white), 4000K (neutral white) and 5000K (cool white) color temperatures.*
- WPF-9L provides a range of 4,815 to 9,010 nominal lumens.*
- WPF-17L provides a range of 9,337 to 17,186 nominal lumens.*
- Long-life LEDs provide 167,000 hours of operation with at least 70% of initial lumen output (L70), and 51,000 hours with at least 90% of initial lumen output (L90).**
- Screw in sensor ready. Occupancy sensor and remote control sold separately. Remote control required to change factory sensor settings.
- LED chromaticity based on < 6-step ANSI quadrangles.
- LED color maintenance < -0.0034 chromaticity shift ($\Delta u'v'$) over the initial 6,000 hours of operation.
- Color Rendering Index > 80.
- Operating temperature (ambient): -40°C to 50°C (-40°F to 122°F) .
- Universal 120-277 AC voltage (50-60Hz) is standard.
- 0-10V DC dimming drivers are standard.
- Integrated photocell is standard. Photocell can be enabled or disabled by switch.
- Input transient surge protection = 6kV.
- PF > 0.9; THD < 20%

CODES

- cULus listed for wet locations.
- DLC premium listed
- Complies with FCC Part 15, class A.
- IP65 rated for ingress protection.
- IK08 rated for impact protection.

WARRANTY

- 5 year total customer satisfaction warranty.
For details see Signtex product catalog technical data section.

* Default kelvin temperature 4000k and highest lumen output.
** L70 hours are IES TM-21-11 calculated hours.

PROJECT:

TYPE:

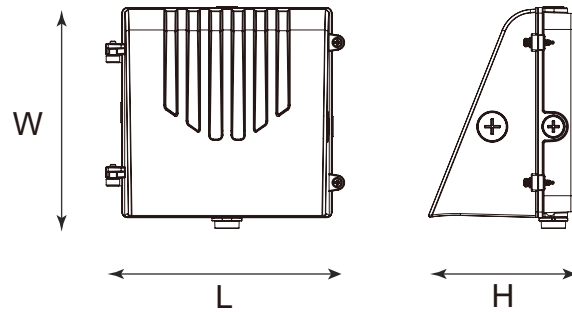
CATALOG #:

emLITE
Series WPF

REV #: WPF.04.26.05



DIMENSIONS



Model #	L (in)	W (in)	H (in)	Weight (lbs)
WPF-9L-SLSK	10.06	8.86	6.25	3.98
WPF-17L-SLSK	14.49	9.25	6.44	5.97

STANDARD

OPTIONS



FIXTURE ORDERING INFORMATION EXAMPLE: WPF-9L-SLSK-MV-ELC15P3

WPF 9L SLSK MV - ELC15P3

SERIES	SIZE	SELECTABLE ¹		VOLTAGE	OPTIONS
		NOMINAL LUMENS	COLOR TEMP		
WPF	9L	SL 5,000/ 6,000/ 8,000/ 9,000lm	SK 3000K 4000K 5000K	MV 120-277VAC	ELCXXP3 ² Emergency Lighting Control(9L)
	17L	SL 10,000/ 13,000/ 15,000/ 17,000lm			ELCXXP4 ² Emergency Lighting Control(17L)
					Em8 8W Emergency driver

¹ Nominal values, See Electrical data for specific values.
² See ELC Power details table, Page2,

Full Cut-Off Wall Pack Sensor Ready

emLITE

Series WPF
REV #: WPF.04.26.05

EMERGENCY LIGHTING CONTROLS (ELC)

For use with Signtex Lighting DC Central Battery System

NOTE:

Emergency lumens are calculated based on efficacy in the MID-LUMEN range (4000K) from the Electrical Data Table. The value is adjustable through the EPR range shown above. For maximum efficiency, EPR should be set at the minimum level for compliance with NFPA Life Safety Code, based on photometric data for the fixture when installed.

To calculate lumen output within the EPR range given:

$$\text{Lumens} = \text{EPR (watts)} \times \text{Luminaire Efficacy (Lm/watt)}$$

MODEL	EPR ¹ WATTS (MIN.)	EM LUMENS ²	EPR WATTS (MAX.) ³	EM LUMENS
WPF-9L	ELC10P3		ELC20P3	
	10	1575	20	3,150
WPF-17L	ELC10P4		ELC40P4	
	10	1586	40	6,345

¹ Emergency power rating (Factory Adjustable).

² Nominal output at 4000K and Efficacy in Mid-Lumen Range.

³ Maximum Emergency Power Rating (EPR).

ACCESSORIES (ORDER SEPARATELY)

Sensor

- HD07VR-PHF-1 = Passive infrared sensor - maximum mounting height = 39 FT
- HD07VR-MHF-1 = Microwave step-dimming sensor - maximum mounting height = 49 FT
- HD05R = Remote control for HD07VR and HD09VR series Sensors (required to change factory settings)

Factory settings for Sensor : detection area =100%, hold time = 5 sec, stand-by period = 0 sec, stand-by dimming level = 10%, daylight threshold = disabled

COMPATIBLE DIMMERS AND CONTROLS

Manufacturer	Model Number	Dimmer Range	Load Switching Capacity
Best Lighting	DWS-010V-T	10%-100%	600W
Best Lighting	DWS-010V-D	10%-100%	600W
Leviton	IP710-LFZ	10%-100%	1200W
Lutron	DVSTV	10%-100%	450W

COMPATIBLE EMERGENCY DRIVERS-INSTALLED*

Emergency Driver Part Number	EM4		EM8	
	Watts	EM Lumens	Watts	EM Lumens
WPF-9L-SLSK	4	630	8	1260
WPF-17L-SLSK	4	634	8	1269

* EM Lumens based on factory setting of 4000K CCT and highest power setting.

ELECTRICAL DATA

Series	CCT	Input Amps (A)											
		30W			40W			50W			60W		
		120V	240V	277V	120V	240V	277V	120V	240V	277V	120V	240V	277V
WPF-9L-SLSK	3000K	0.26	0.13	0.11	0.33	0.17	0.14	0.43	0.22	0.19	0.49	0.25	0.21
	4000K	0.25	0.13	0.11	0.32	0.16	0.14	0.42	0.21	0.18	0.48	0.24	0.21
	5000K	0.26	0.13	0.11	0.33	0.17	0.14	0.43	0.22	0.19	0.49	0.25	0.21

Series	CCT	Input Amps (A)											
		60W			80W			100W			120W		
		120V	240V	277V	120V	240V	277V	120V	240V	277V	120V	240V	277V
WPF-17L-SLSK	3000K	0.50	0.25	0.22	0.66	0.33	0.28	0.80	0.40	0.35	0.93	0.47	0.40
	4000K	0.49	0.24	0.21	0.64	0.32	0.28	0.78	0.39	0.34	0.90	0.45	0.39
	5000K	0.50	0.25	0.21	0.66	0.33	0.28	0.80	0.40	0.35	0.93	0.46	0.40

LUMEN TABLES

Series	Measurements	30W			40W			50W			60W		
		3000K	4000K	5000K	3000K	4000K	5000K	3000K	4000K	5000K	3000K	4000K	5000K
		WPF-9L-SLSK	Lumens	4,815	5,015	5,024	6,034	6,295	6,308	7,644	8,042	8,000	8,529
Watts	31.28		30.56	31.23	39.87	38.98	39.81	52.02	50.55	51.98	59.13	57.22	58.95
Efficacy	153.93		164.10	160.87	151.34	161.49	158.45	146.94	159.09	153.91	144.24	157.46	151.25

Series	Measurements	60W			80W			100W			120W		
		3000K	4000K	5000K	3000K	4000K	5000K	3000K	4000K	5000K	3000K	4000K	5000K
		WPF-17L-SLSK	Lumens	9,337	9,638	9,740	12,067	12,561	12,586	14,370	15,090	15,010	16,282
Watts	59.62		58.48	59.54	78.87	77.01	78.78	96.32	93.79	96.27	111.81	108.36	111.5
Efficacy	156.61		164.81	163.59	153.00	163.11	159.76	149.19	160.89	155.92	145.62	158.60	152.29

PHOTOMETRIC DATA

WPF-9L-SLSK

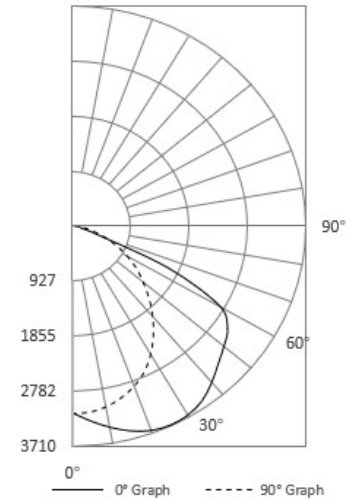
Luminaire Data

Description	Full Cut Off Wall Pack Field Selectable
Total Lumens	9,010
Input Wattage	57
Efficacy (lm/W)	157
Max. Cd.	3709.5 (360H, 25V)
IES Classification	Type III
Longitudinal Classification	Very Short

Luminaire Classification Systems (LCS)

LCS Zone	Lumens	%Lum
FL 0-30	1,398	15.5%
FM 30-60	3,162	35.1%
FH 60-80	1,173	13.0%
FVH 80-90	46	0.5%
BL 0-30	1,099	12.2%
BM 30-60	1,734	19.2%
BH 60-80	374	4.1%
BVH 80-90	25	0.3%
UL 90-100	0	0.0%
UH 100-180	0	0.0%
Total	9,010	100.0%
BUG Rating	B3-U0-G1	

180° Polar Graph



Zonal Lumen Summary

Zone	Lumens	%Fixt
0-30°	2,496	27.7%
0-60°	7,392	82.0%
0-80°	8,939	99.2%
80-90°	71	0.8%*
0-90°	9,010	100.0%
90-110°	0	0.0%
110-180°	0	0.0%
0-180°	9,010	100.0%

Photometrics calculated @4000k, and highest lumen setting

* 80-90° glare zone is calculated by dividing the lumens in that zone by the lumen total in the 0-90° zone

WPF-17L-SLSK

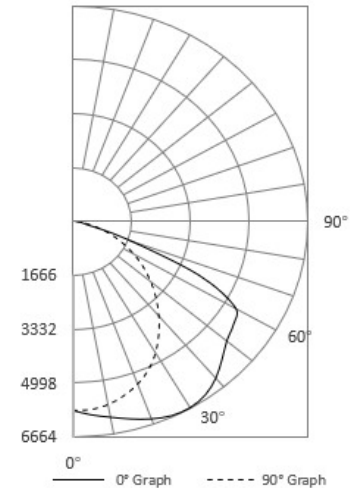
Luminaire Data

Description	Full Cut Off Wall Pack Field Selectable
Total Lumens	17,186
Input Wattage	108
Efficacy (lm/W)	159
Max. Cd.	6670 (360H, 28V)
IES Classification	Type III
Longitudinal Classification	Very Short

Luminaire Classification Systems (LCS)

LCS Zone	Lumens	%Lum
FL 0-30	2,516	14.6%
FM 30-60	5,734	33.4%
FH 60-80	2,374	13.8%
FVH 80-90	141	0.8%
BL 0-30	2,108	12.3%
BM 30-60	3,457	20.1%
BH 60-80	799	4.6%
BVH 80-90	57	0.3%
UL 90-100	0	0.0%
UH 100-180	0	0.0%
Total	17,186	100.0%
BUG Rating	B3-U0-G2	

180° Polar Graph



Zonal Lumen Summary

Zone	Lumens	%Fixt
0-30°	4,624	26.9%
0-60°	13,815	80.4%
0-80°	16,989	98.8%
80-90°	198	1.2%*
0-90°	17,186	100.0%
90-110°	0	0.0%
110-180°	0	0.0%
0-180°	17,186	100.0%

Photometric calculated at 4000k, and highest lumen output

* 80-90° glare zone is calculated by dividing the lumens in that zone by the lumen total in the 0-90° zone

DISTRIBUTOR

Contact Sigtex for layout assistance.
Code compliant emergency lighting layouts provided!
Specifications and dimensions subject to change without notice.