

Mullion Mount Outdoor Emergency Egress Lighting

Linear LED outdoor egress with emergency lighting, night lighting and Self-test diagnostics with all Battery Backup (BB) models. The MUE series is designed to mount directly on mullion frames used in typical glass panel entrance structures, with vertical mounting surface as small as 2". High efficiency LEDs and full 90° cut-off provide uniform emergency and night lighting on the extended egress pathway. All models are outdoor rated, UL wet location, ADA compliant, and exceed requirements of UL Standard 924 and NFPA 101. Designed and manufactured in the USA.

PROJECT:
TYPE:
CATALOG #:

MOONLITE LED® Series MUE

REV #: MUE.04.26.23



FEATURES

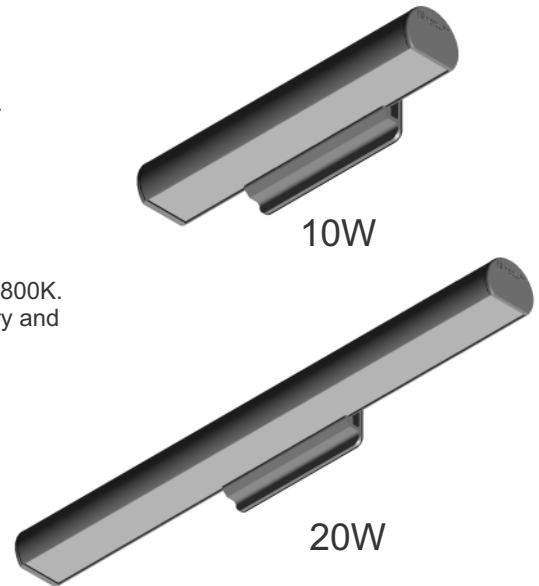
- Very low profile extruded aluminum housing and mount bracket blend seamlessly with structural metal frames.
- Custom satin finishes for extended outdoor use are available to match any surface.
- Available in Top or Wall mount.
- Remote power supply for BB & AC models.
- Self-Test Diagnostics is standard.
- Optional normal-on switch allows timed control of night lighting.
- IP66 housing seals against heavy water spray and fine dust ingress.
- Wide lighting distribution designed for entrance walkways.
- Standard CRI 5000K, with optional color corrections filters for 2900K, 3200K and 3800K.
- American manufactured major components comply with ARRA (American Recovery and Reinvestment Act) requirements and Buy American provisions.

CONSTRUCTION

- Extruded aluminum housing 2" diameter with gasketed mullion-mount back plate 1 3/4" x 5" that includes a waterproof compression seal for easy wiring installation.
- Available in Brushed Aluminum, Satin White, Bronze, Black, or any custom color on request.
- Wet location listed UL924 and certified IP66.
- Gasketed, molded end caps.
- Stainless steel hardware.
- Sealed acrylic lens.

ELECTRONICS

- Self-Test/Self-Diagnostic operation is standard in battery backup versions.
- Line latch circuit prevents unwanted emergency activation at installation.
- Low Voltage Disconnect prevents deep battery discharge.
- High efficiency charger and Li-ion Battery.
- Standard Operating Temperature.
 BB: 0°C to 50°C
 AC & RE: -40°C to 50°C



CODES

- Manufactured and tested to UL Standard 924, NFPA Life Safety Code101, and certified to Ip66.

WARRANTY

- 10 year total customer satisfaction warranty. For details see Signtex product catalog technical data section.



FIXTURE ORDERING INFORMATION EXAMPLE: MUEBB10AW-SD

SERIES	OPERATION	POWER	HOUSING COLOR	MOUNT	OPTIONS
MUE	BB Battery Unit AC No Battery RE Central Battery	10 10 watts emergency and normal power 20 20 watts emergency and normal power	W Satin White K Black A Aluminum B Dark Bronze X Custom	T Top W Wall	SD Night lighting with control switch for BB operation 120/277V DAC Dual AC input CW1 3800K CW2 3200K CW3 2900K 5HT 5" canopy Height REC RPS Recessed Mount for BB-20 Models. 2EM 2 hours Battery Run Time for BB-20 Models.

Mullion Mount Outdoor Emergency Egress Lighting

LIGHTING

- Lamps connected in parallel allow continuous lighting after failure of one lamp, meeting NEC and NFPA requirements.
- Standard output color 5000K. Optional outputs available 2990K, 3200K and 3800K.
- Dual function available for emergency or normally -ON operation(Night Lighting).

NIGHT LIGHTING CONTROL

RE MODELS: Requires 'SEC' option in central battery system series CBL or CBM.

BB 20W MODELS: Requires option 'SD' for Security or Night lighting.

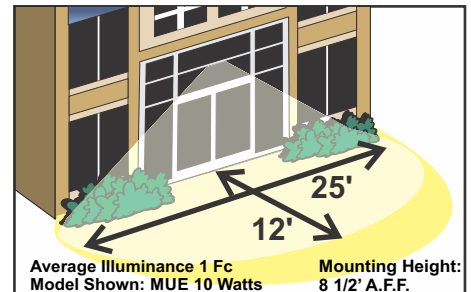
BB 10W MODELS: The 'SD' option is standard in 10 Watt models, if not use cap off the switched hot wire.

SUGGESTED SPECIFICATIONS:

Supply and install the MOONLITE LED Series MUE Mullion Mount emergency lighting fixture manufactured by Sigtex Lighting Inc. The MUE assembly shall be listed for installation in wet locations in compliance with UL 924 and IP66 standards and shall be capable of operating from Sigtex remote power supply Series RPS, the Sigtex central battery system Series CBS, or from other remote power sources supplying 12-24 VDC or VAC. Upon loss of AC building power, emergency models shall operate for a minimum of 90 minutes in compliance with UL Standard 924 and NFPA LSC 101.



MUE10 SPACING GUIDE



Average Illuminance 1 Fc
Model Shown: MUE 10 Watts
Mounting Height: 8 1/2' A.F.F.

NOTE: FOR REFERENCE ONLY. STANDARD REFLECTANCES 80/50/20. SIGTEX IS NOT RESPONSIBLE FOR SPECIFIC CONDITIONS THAT MAY ALTER THE RESULTS.

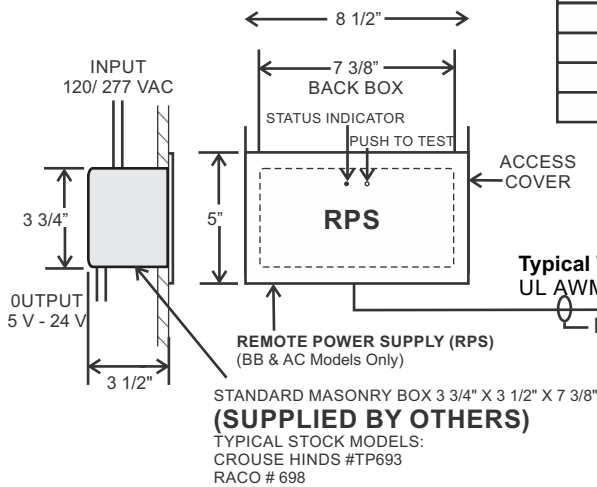
CONTACT SIGTEX FOR LAYOUT ASSISTANCE

MOUNTING DATA & DIMENSIONS:

1) 10 Watts AC & BB Models Remote Power Supply

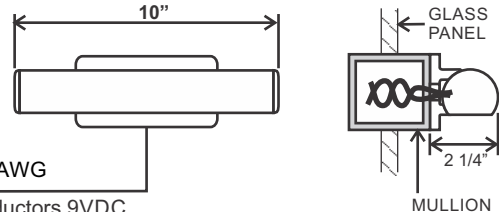
MAXIMUM WIRING LENGTH FROM 10 WATTS RPS TO FIXTURE

WIRING SIZE AWG	LENGTH (FT)
#18	25
#16	50
#14	75
#12	125

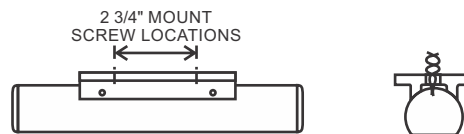


Typical Wiring Specification:
UL AWM Style: Control Cable #20 AWG
BB and AC Models: 2 Conductors 9VDC

WALL MOUNT



TOP MOUNT



SELF-TEST DIAGNOSTIC FUNCTIONS For Battery Backup Models

STATUS	LED DISPLAY
NORMAL FULL CHARGE	● GREEN ON
NORMAL FAST CHARGE	● ORANGE ON
FAILED BATTERY	● RED FLASH FAST
FAILED LAMP	● GREEN FLASH
FAILED TRANSFER	● ORANGE FLASH
FAILED CHARGER	● RED FLASH SLOW

Mullion Mount Outdoor Emergency Egress Lighting

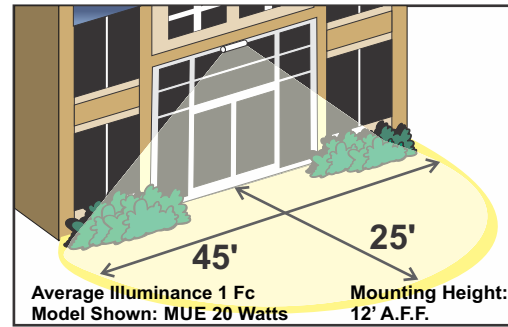
Series MUE
REV #: MUE.04.26.23

2) 20 Watts BB Models Remote Power Supply

MAXIMUM WIRING LENGTH
FROM 20 WATTS RPS TO FIXTURE

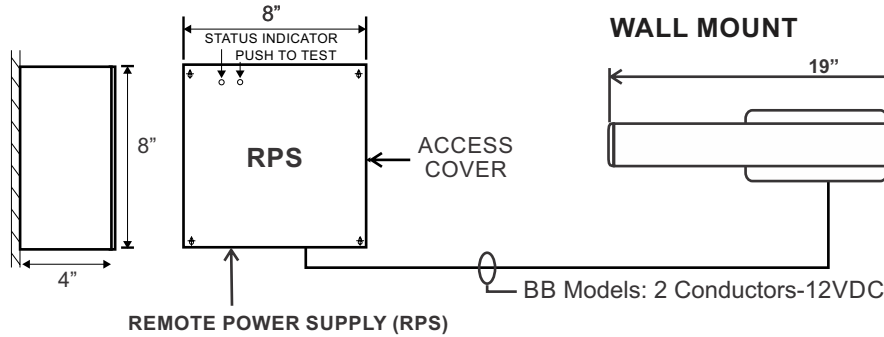
WIRING SIZE AWG	LENGTH (FT)
	MUEBB-20
#18	60
#16	100
#14	160
#12	250

MUE20 SPACING GUIDE

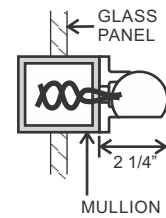


NOTE: FOR REFERENCE ONLY. STANDARD REFLECTANCES 80/50/20. SIGNTEX IS NOT RESPONSIBLE FOR SPECIFIC CONDITIONS THAT MAY
CONTACT SIGNTEX FOR LAYOUT ASSISTANCE

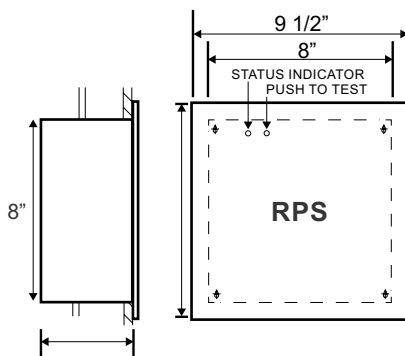
SURFACE MOUNT



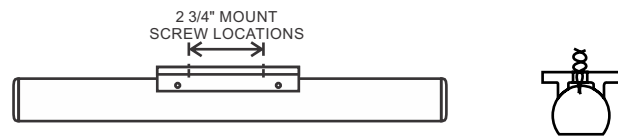
Typical Wiring Specification:
UL AWM Style: Control Cable #20 AWG 300V



RECESS MOUNT (OPTION REC)



TOP MOUNT

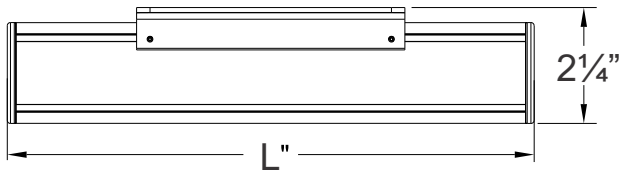


SELF-TEST DIAGNOSTIC FUNCTIONS
For Battery Backup Models

STATUS	LED DISPLAY
NORMAL FULL CHARGE	GREEN ON
NORMAL FAST CHARGE	ORANGE ON
FAILED BATTERY	RED FLASH FAST
FAILED LAMP	GREEN FLASH
FAILED TRANSFER	ORANGE FLASH
FAILED CHARGER	RED FLASH SLOW

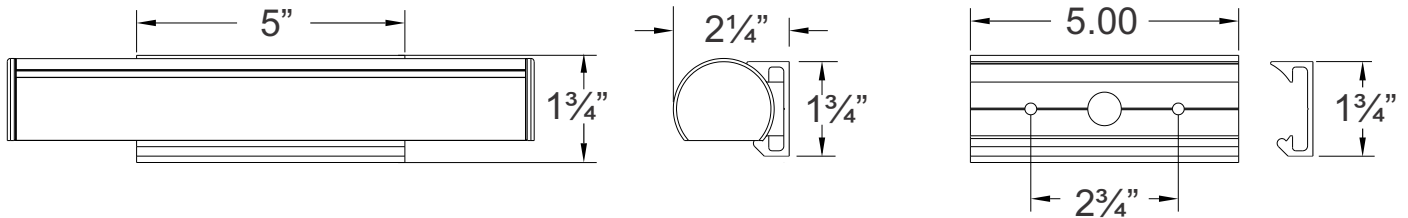
Contact Signtex for layout assistance.
Code compliant emergency lighting layouts provided!
Specifications and dimensions subject to change without notice.

Mullion Mount Outdoor Emergency Egress Lighting

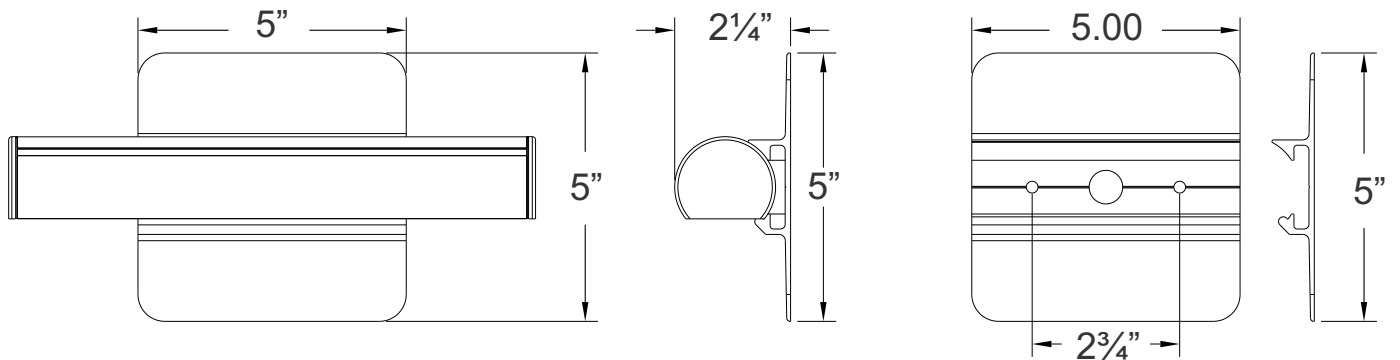


L = 10" for 10W Model
19" for 20W Model

- Standard 1 3/4" Canopy Height:



- Option "5HT" 5" Canopy Height:



DISTRIBUTOR

Sigtex Inc. . 220 VFW Avenue, Grasonville, MD21638 P (410)827- 8300 F(410)827- 8866 www.sigtexinc.com
LIGHTING *Specifications and dimensions subject to change without notice.*