

## Recessed LED Down Light

With spacing up to 55 ft in 9 ft ceilings, this recessed down light with a 4" trim is our most efficient emergency luminaire; very effective in long corridors, it is inconspicuous and will blend with general lighting fixtures without affecting the appearance of ceiling layouts .

### FEATURES

- Operates with Central Battery System including low voltage normal lighting operation. (See CBS data sheet)
- Dual function operation for Night or Security lighting as well as emergency lighting.
- Over 50,000 hour lamp life in normal use.
- Self-Test Diagnostics is standard
- Normal-on switch allows timed control of night lighting
- Wide lighting distribution, Standard CRI 5000K.
- Universal 120/277 VAC input for standard battery or AC unit, or 24 VDC input for remote configuration.
- American manufactured major components comply with ARRA (American Recovery and Reinvestment Act) requirements and Buy American provisions.

### CONSTRUCTION

- 4" Trim ring installation with standard can and back plate.
- Steel housing with bracket mount locations and multiple knockouts for wiring connection.

### ELECTRONICS

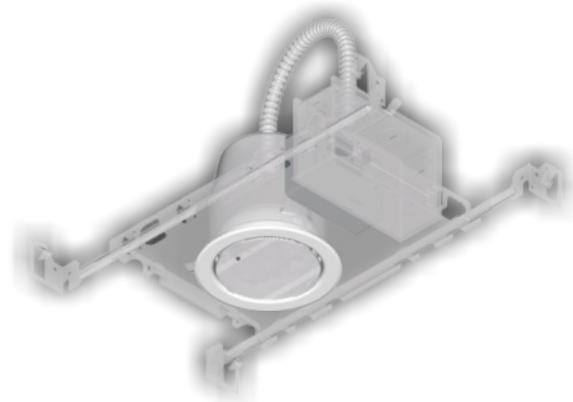
- Self-Test/Self-Diagnostic operation is standard in battery backup versions.
- Line latch circuit prevents unwanted emergency activation at installation.
- Low Voltage Disconnect prevents deep battery discharge
- High efficiency charger and Li-ion Battery
- Standard Operating Temperature  
**BB:** 0°C to 50°C  
**AC & RE:** -40°C to 50°C

PROJECT:
TYPE:
CATALOG #:

## MOONLITE LED®

### Series MLD

REV #: MLD.04.26.22



### CODES

- Manufactured and tested to UL Standard 924, NFPA Life Safety Code101.

### WARRANTY

- 10 year total customer satisfaction warranty.  
For details see Signtex product catalog technical data section.



### FIXTURE ORDERING INFORMATION EXAMPLE: MLDBB10W-DP

SERIES	OPERATION	POWER	TRIM COLOR	OPTIONS
MLD	BB Battery Unit	<b>BB &amp; RE Models</b> 7 = 7 Watts	<b>W</b> Satin White	<b>DAC</b> Dual AC Input (AC Models Only)
	AC AC Supply (120/277V)	10 = 10 Watts	<b>K</b> Black	<b>DP</b> Damp Location
	RE Remote with Central Battery	<b>AC Models</b> 4 = 4 Watts 7 = 7 Watts	<b>A</b> Aluminum	<b>IC</b> Insulation Contact Rated
			<b>B</b> Dark Bronze	
			<b>X</b> Custom	

### SUGGESTED SPECIFICATIONS:

Install MOONLITE® Series MLD Recessed LED downlight emergency lighting fixture manufactured by Signtex Inc., available as unit equipment or as a remote device connected to a central battery power source. Upon loss of AC building power, emergency models shall operate for a minimum of 90 minutes under battery power, in compliance with UL 924 and NFPA LSC Code 101. The unit may be specified to operate continuously for security or night lighting, as required. The battery charger and power supply shall have universal input of 120/277 VAC, with brownout and LVD circuit protection. Auto battery diagnostics shall be available for all models, as specified and shall perform all test functions specified by UL 924 and NFPA 101.

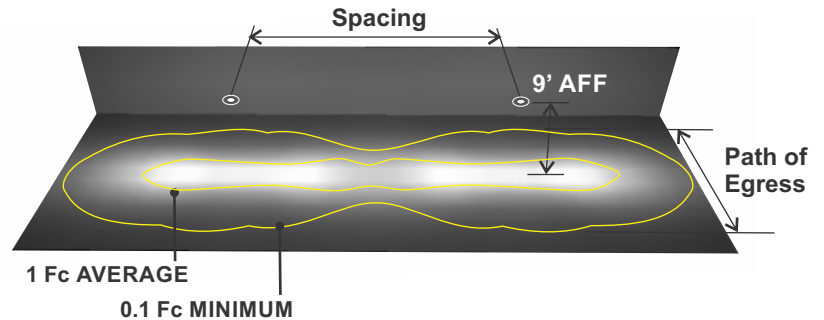
### SPACING GUIDE Average Illuminance 1 Fc

Model	Mtg. Ht.	SPACING		
		Path of Egress Width		
		3 Ft.	6 Ft.	10 Ft.
7 W	9'	50'	40'	25'
10 W	9'	55'	50'	40'

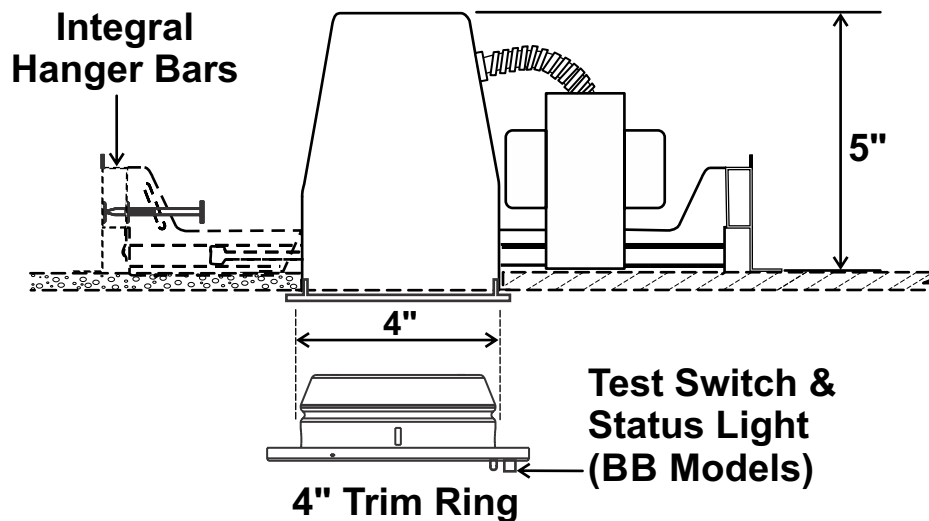
**NOTE:** TESTED IN ACCORDANCE WITH IES STANDARD LM-79-08 FOR SOLID STATE LIGHTING PRODUCTS. FOR REFERENCE ONLY. STANDARD REFLECTANCES 80/50/20. SIGNTEX IS NOT RESPONSIBLE FOR SPECIFIC CONDITIONS THAT MAY ALTER THE RESULTS. COMPLETE IES PHOTOMETRIC DATA AVAILABLE AT [WWW.SIGNTEXINC.COM](http://WWW.SIGNTEXINC.COM) FOR YOUR CONVENIENCE.

**CONTACT SIGNTEX FOR LAYOUT ASSISTANCE**

Code Compliant Emergency lighting layouts provided free of charge!



### MOUNTING DATA & DIMENSIONS:



### SELF-TEST DIAGNOSTIC BB MODELS

STATUS	LED DISPLAY
NORMAL FULL CHARGE	GREEN ON
NORMAL FAST CHARGE	ORANGE ON
FAILED BATTERY	RED FLASH FAST
FAILED LAMP	GREEN FLASH
FAILED TRANSFER	ORANGE FLASH
FAILED CHARGER	RED FLASH SLOW