

Interior LED Wall Mount Light

At only 5" x 5" in width and height and 2" profile depth, this unit is the smallest emergency wall pack available. It has high lighting output, allowing fixture spacing up to 40 ft for 1Fc average illumination along the path of egress. The all-aluminum construction can be custom finished in our shop to match any interior.

FEATURES

- Operates with Central Battery System including low voltage normal lighting operation. (See CBS data sheet)
- Dual function operation for Night or Security lighting as well as emergency lighting.
- Over 50,000 hour lamp life in normal use.
- Self-Test Diagnostics is standard
- Normal-on switch allows timed control of night lighting
- Standard CRI 5000K.
- Universal 120/277 VAC input for standard battery or AC unit, or 24 VDC input for remote configuration.
- American manufactured major components comply with ARRA (American Recovery and Reinvestment Act) requirements and Buy American provisions.

CONSTRUCTION

- Extremely low profile, formed aluminum housing.
- Contoured prismatic lens generates a uniform elongated lighting pattern over required path of egress.
- Standard satin white finish; custom paint or satin anodized finishes are also available.

ELECTRONICS

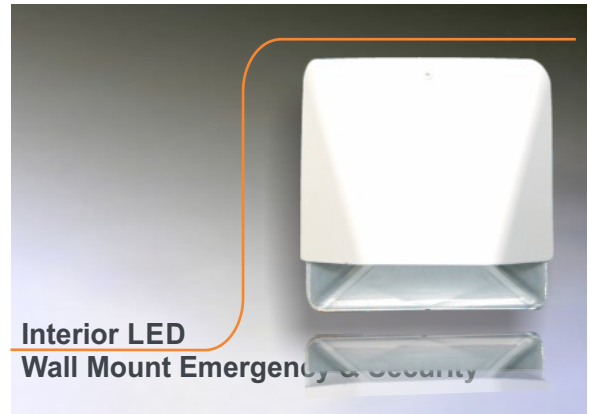
- Self-Test/Self-Diagnostic operation is standard in battery backup versions.
- Line latch circuit prevents unwanted emergency activation at installation.
- Low Voltage Disconnect prevents deep battery discharge
- High efficiency charger and Li-ion Battery
- Standard Operating Temperature
BB: 0°C to 50°C
AC & RE: -40°C to 50°C

PROJECT:
TYPE:
CATALOG #:

MOONLITE LED®

Series MLW

REV #: MLW.04.26.25



CODES

- Manufactured and tested to UL Standard 924, NFPA Life Safety Code101.

WARRANTY

- 10 year total customer satisfaction warranty.
For details see Signtex product catalog technical data section.



FIXTURE ORDERING INFORMATION EXAMPLE: MLWBB10W-DP

SERIES	OPERATION	POWER	TRIM COLOR	OPTIONS
MLW	BB Battery Unit	BB & RE Models 7 = 7 Watts	W Satin White	DAC Dual AC Input (AC Models Only)
	AC AC Supply (120/277V)	10 = 10 Watts	K Black	DP Damp Location
	RE Remote with Central Battery	AC Models 4 = 4 Watts 7 = 7 Watts	A Aluminum	ST Surface Mount Trim (RE & AC Models Only)
			B Dark Bronze	
			X Custom	

MOONLITE LED®

Series MLW

REV #: MLW.04.26.25

SUGGESTED SPECIFICATIONS:

Install MOONLITE™ Series MLW Interior Wall Mount LED emergency lighting fixture manufactured by Signtex Inc., available as unit equipment or as a remote device connected to a central battery power source. Upon loss of AC building power, emergency models shall operate for a minimum of 90 minutes in compliance with UL 924 and NFPA LSC Code 101. In remote configuration, the unit may be specified to operate continuously for security or night lighting, as required. The battery charger and power supply shall have universal input of 120/277 VAC, with brownout and LVD circuit protection. Auto battery diagnostics shall be available for all models, as specified and shall perform all test functions specified by UL 924 and NFPA 101.

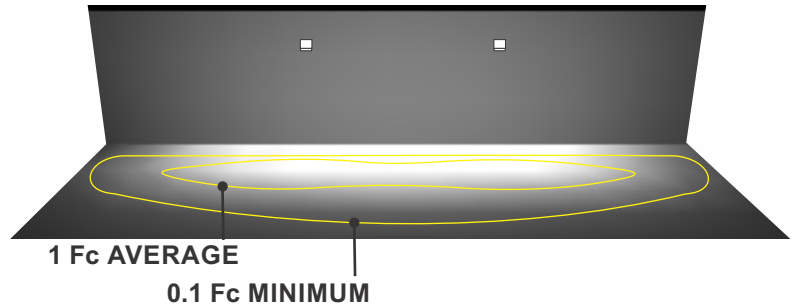
SPACING GUIDE Average Illuminance 1 Fc

Model	Mtg. Ht.	SPACING		
		Path of Egress Width		
		3 Ft.	6 Ft.	10 Ft.
7 W	8 1/2'	40'	35'	25'
10 W	8 1/2'	45'	40'	35'

NOTE: TESTED IN ACCORDANCE WITH IES STANDARD LM-79-08 FOR SOLID STATE LIGHTING PRODUCTS. FOR REFERENCE ONLY. STANDARD REFLECTANCES 80/50/20. SIGNTEX IS NOT RESPONSIBLE FOR SPECIFIC CONDITIONS THAT MAY ALTER THE RESULTS. COMPLETE IES PHOTOMETRIC DATA AVAILABLE AT WWW.SIGNTEXINC.COM FOR YOUR CONVENIENCE.

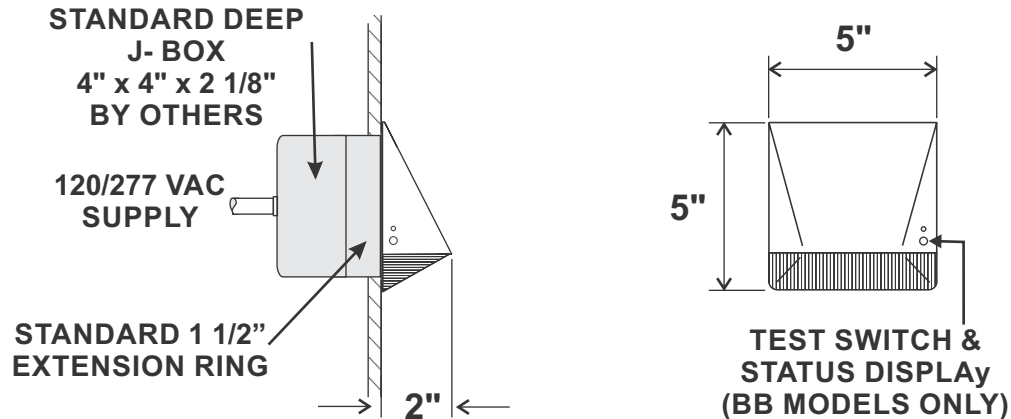
CONTACT SIGNTEX FOR LAYOUT ASSISTANCE

Code Compliant Emergency lighting layouts provided free of charge!

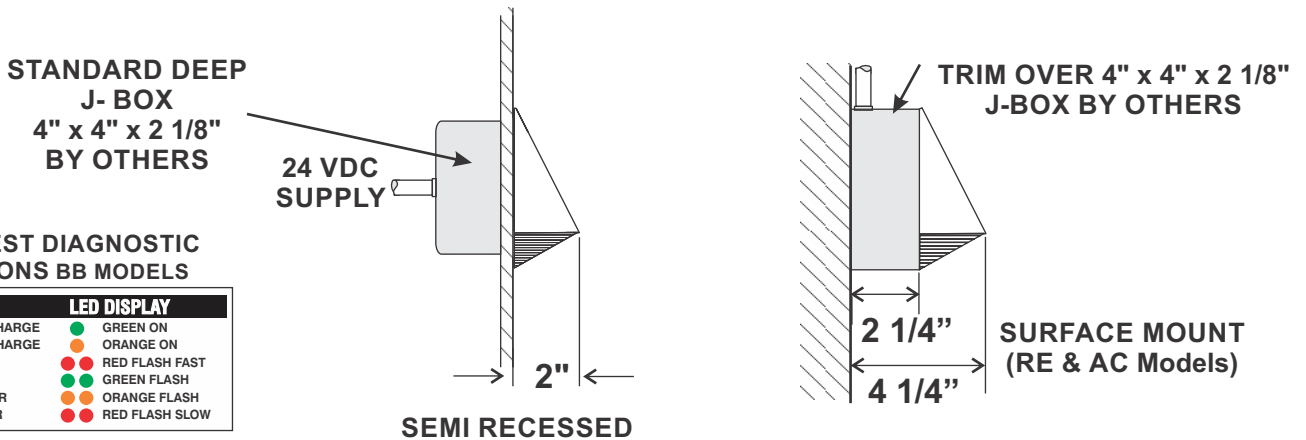


MOUNTING DATA & DIMENSIONS:

BB & AC MODELS



RE MODELS



SELF-TEST DIAGNOSTIC FUNCTIONS BB MODELS

STATUS	LED DISPLAY
NORMAL FULL CHARGE	● GREEN ON
NORMAL FAST CHARGE	● ORANGE ON
FAILED BATTERY	● RED FLASH FAST
FAILED LAMP	● GREEN FLASH
FAILED TRANSFER	● ORANGE FLASH
FAILED CHARGER	● RED FLASH SLOW