

Crystal Swing Face EXIT signs With Hang- Straight Hinge

The Crystal Surface Mount Edge Lit Exit Sign is field adjustable for wall or ceiling mount. The edge-lit panel is constructed of high-grade acrylic with custom graphics and directional arrows to point towards the exit direction. Ultra high output LEDs produce brilliant graphic illumination well above code minimums.

U.S. Patent 5, 276, 591

CRYSTAL™
Series CRSW
REV #: CRSW.04.26.10



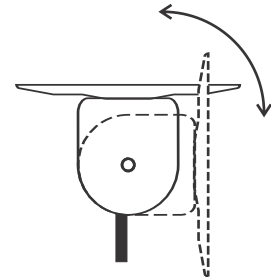
FEATURES

- Extruded aluminum LED lamp housing mounts to a form- fitting canopy in solid aluminum which is field adjustable for wall or ceiling mount.
- Standard finishes: Satin white enamel and brushed aluminum. Optional finishes: Painted colors in any custom shade, or anodized finishes in satin bronze, polished gold, mirror silver & many others.
- Diamond polished acrylic lenses for optimum light transmission, exterior quality and high brightness.
- Ultra high output LEDs with up to 5 candela output in green or red produce brilliant graphic illumination well above code minimums.
- An advanced microprocessor monitors all charger functions and battery condition continuously, with software to automatically perform all tests and visual indications required by UL Standard 924 and NFPA 101



ELECTRONICS

- Self-Test/Self-Diagnostic operation standard in battery backup versions.
- Low Voltage Disconnect prevents deep battery discharge
- Universal 120/ 277 VAC input for standard battery or AC unit, or 24 VDC input for remote configuration.
- Remote Model RE may be connected to one of the following:
 - Series CBS UNIVERSAL CENTRAL BATTERY SYSTEM
 - Series MTL MASTER-REMOTE SYSTEM
- Power supply is surge and spike protected.
- The complete power supply module with optional NICAD battery pack is sealed within a plastic enclosure. AC and DC wiring is quickly attached with plug connectors.
- Standard Operating Temperature: 0°C to 50°C



MOUNTING

- Field selectable wall or ceiling mount.
- No exposed hardware.

CODES

- Manufactured and tested to UL Standard 924, NFPA Life Safety Code 101, and certified to Ip66.

WARRANTY

- 5 year total customer satisfaction warranty. For details see Signtex product catalog technical data section.



ORDERING INFORMATION EXAMPLE: CRSWB-1RCB-NA-TW-DG

| MODEL SERIES | OPERATION | NO. of FACES | LETTER COLOR | BACKGRD COLOR | STANDARD TRIM FINISH | ARROW DIRECTION | MOUNT | OPTIONS |
|--------------|--|----------------------|------------------|---|--|--|----------------------------|-------------|
| CRSW | BB Battery Backup NB No Battery(AC Only) REC Remote w/ Central Battery System REP Remote DC Power From Power Supply or POE system REM Remote with Master Remote System | 1 Single 2 Double | R Red G Green | C Clear M Mirror W White K Black X Custom | W White K Black A Alum B Satin Bronze X Custom | NA No Arrow AB Arrow Both < > AR Arrow Right > (SF)* AL Arrow Left < (SF) LR Single Arrow Each side > (DF) CX Custom Graphics | TW Universal (Top or wall) | SEE PAGE 2. |

Crystal Surface Mount LED Edge-lit Exit Signs

CRYSTAL™

Series CRSW

REV #: CRSW.04.26.10

SUGGESTED SPECIFICATIONS:

Install Sigtex CRYSTAL Series CRS recessed LED exit signs, available as unit equipment or as a remote device connected to a central battery power source. The lamp housing and canopy shall be of extruded aluminum, graphic lenses shall be optical grade acrylic with diamond polished edges. Lighting uniformity shall be better than 4:1 when measured over any illuminated area and average brightness will exceed 6 ft Lambert (21 Cd/m²). Life expectancy of the LEDs shall be in excess of 20 years. The power supply and charger shall be an isolated digital type with regulated current and voltage output to the lamp load and batteries (emergency models). AC supply shall be universal 120/277 VAC input via two-wire feed. One standard power supply shall be capable of driving up to 5 single face remote signs in addition to the master, with emergency operation at least 90 minutes for each sign. Battery charge time to restore full capacity after discharge shall be less than 24 hours.

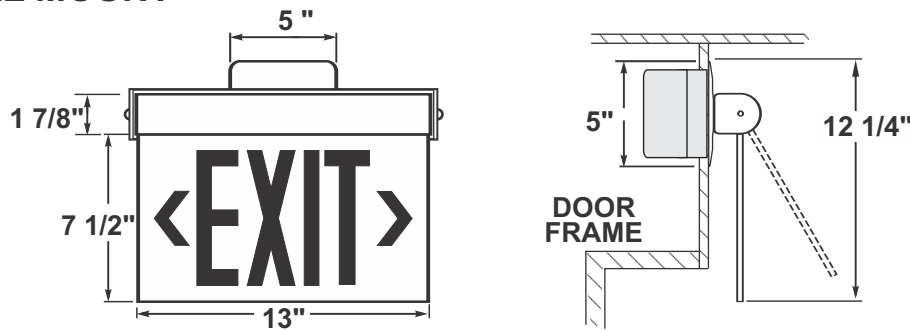
OPTIONS: CODE

| | |
|--------------------------------|--------|
| Auto Battery Diagnostics ----- | DG |
| Damp Location ----- | DP |
| Dual AC Input (120 VAC) ----- | DAC120 |
| Dual AC Input (277 VAC) ----- | DAC277 |
| 48VDC input (REP Models) ----- | 48 |
| 60VDC input (REP Models) ----- | 60 |

NOTE: PRE-INSTALL 4" X 4" X 2 1/8" DEEP J-BOX WITH 1 1/2" EXTENSION RING FOR BB AND NB MODELS

MOUNTING DATA & DIMENSIONS:

WALL MOUNT



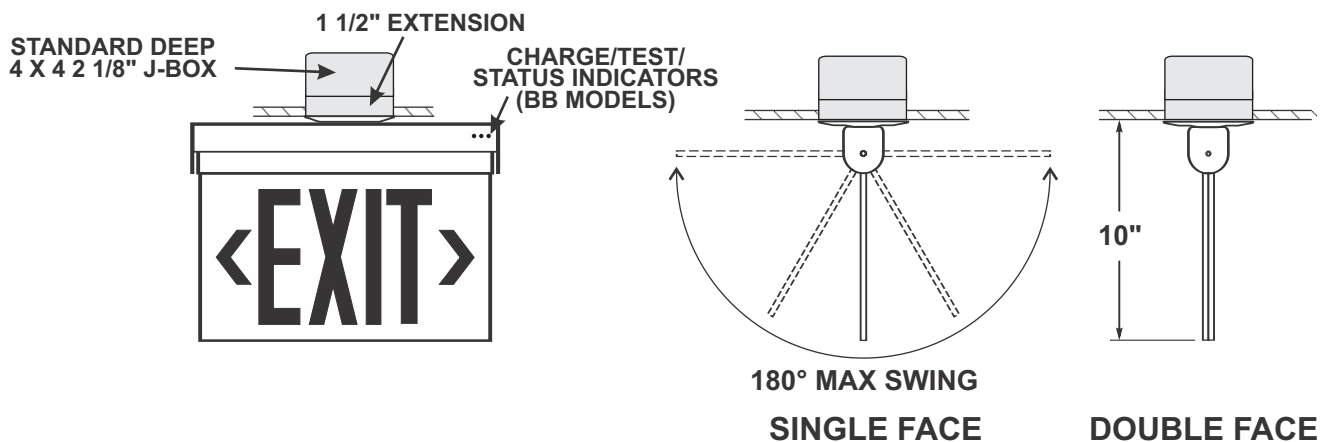
BATTERY DIAGNOSTIC FUNCTIONS: Microprocessor programmed to perform tests as follows:

| Continuous Monitoring w/ 1 Second Sampling | Every 28 Days | Every 12 Months |
|--|--|--|
| Lamp Connections | Transfer switch function | Full 90 minute emergency operation test with test/ fail and manual report signal |
| Battery Connections | Battery discharge rate under full load | |

SELF-TEST DIAGNOSTIC FUNCTIONS

| STATUS | LED DISPLAY |
|--------------------|--------------|
| NORMAL MODE | OFF |
| FAILED LAMP | GREEN |
| FAILED CHARGER | RED |
| FAILED TRANSFER | ORANGE |
| FAILED BATTERY | RED FLASH |
| FAILED ANNUAL TEST | ORANGE FLASH |

TOP MOUNT



Contact Sigtex for layout assistance.
Code compliant emergency lighting layouts provided!
Specifications and dimensions subject to change without notice.

DISTRIBUTOR