

MOONLITE LED®

Series MRD

REV #: MRD.04.26.13

SUGGESTED SPECIFICATIONS:

Install MOONLITE™ Series MRD Recessed LED downlight emergency lighting fixture manufactured by Signtex Inc., available as unit equipment or as a remote device connected to a Central Battery power source. Upon loss of AC building power, emergency models shall operate for a minimum of 90 minutes in compliance with UL 924 and NFPA LSC Code 101. The unit may be specified to operate continuously for security or night lighting, as required.

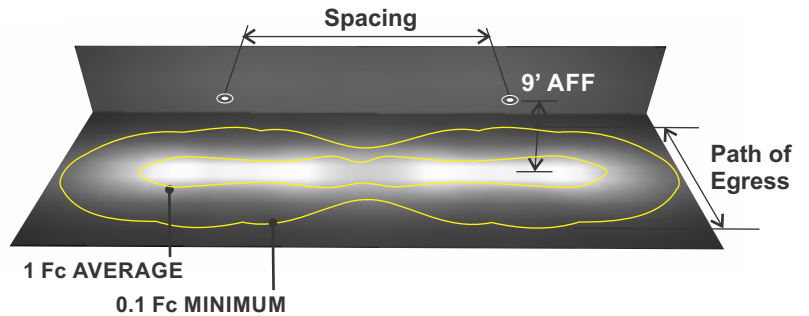
SPACING GUIDE Average Illuminance 1 Fc

Model	Mtg. Ht.	SPACING		
		Path of Egress Width		
		3 Ft.	6 Ft.	10 Ft.
7 W	9'	50'	40'	25'
10 W	9'	55'	50'	40'

NOTE: TESTED IN ACCORDANCE WITH IES STANDARD LM-79-08 FOR SOLID STATE LIGHTING PRODUCTS. FOR REFERENCE ONLY. STANDARD REFLECTANCES 80/50/20. SIGNTEX IS NOT RESPONSIBLE FOR SPECIFIC CONDITIONS THAT MAY ALTER THE RESULTS. COMPLETE IES PHOTOMETRIC DATA AVAILABLE AT WWW.SIGNTEXINC.COM FOR YOUR CONVENIENCE.

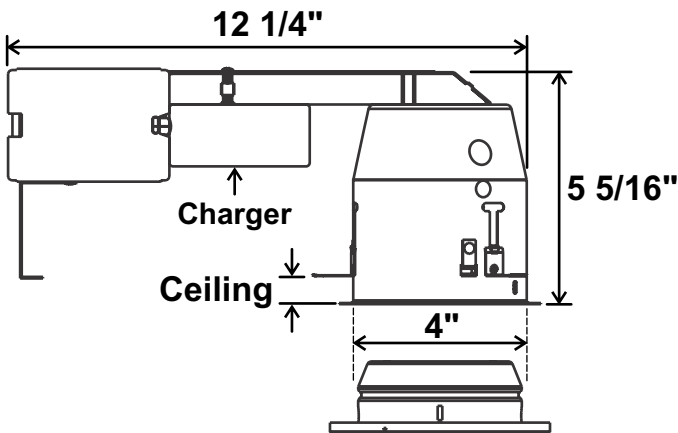
CONTACT SIGNTEX FOR LAYOUT ASSISTANCE

Code Compliant Emergency lighting layouts provided free of charge!

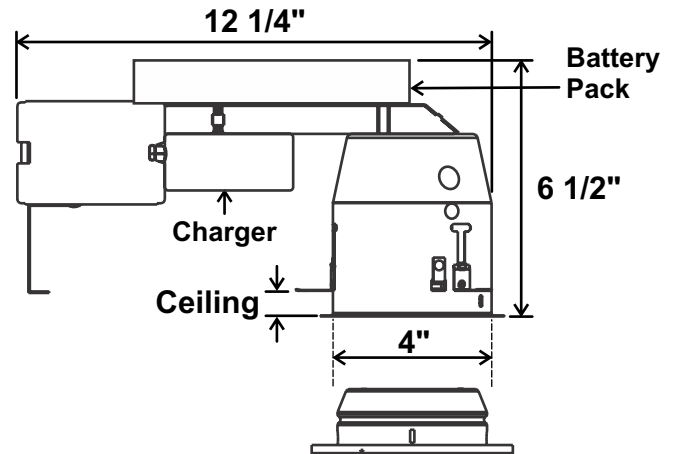


MOUNTING DATA & DIMENSIONS:

Remote & AC Models



Battery Backup Models



SELF-TEST DIAGNOSTIC FUNCTIONS BB MODELS

STATUS	LED DISPLAY
NORMAL FULL CHARGE	● GREEN ON
NORMAL FAST CHARGE	● ORANGE ON
FAILED BATTERY	● RED FLASH FAST
FAILED LAMP	● GREEN FLASH
FAILED TRANSFER	● ORANGE FLASH
FAILED CHARGER	● RED FLASH SLOW